

**Data cable reels**

**數據捲線盤**

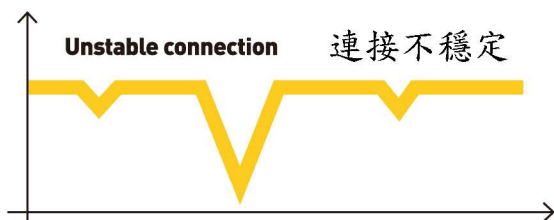
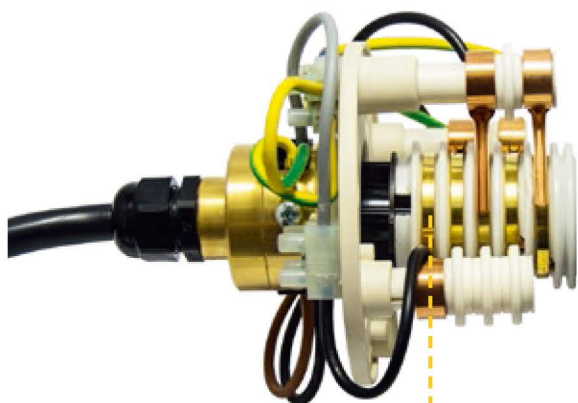


**100%** STABLE CONNECTION

**DATA  
FLUX**

標準集電器 / STANDARD COLLECTOR

DATAFLUX 集電器 / DATAFLUX COLLECTOR



	標準集電器 Standard Collector	Dataflux 集電器 Dataflux Collector
接觸數 Contacts Number	1 ÷ 25	6/12/24
材料 Material	黃銅/磷青銅 Brass / phosphoric bronze	金合金 Gold alloy
最大容量 Maximum Capacity	10A	2A
最大電壓 Maximum Voltage	500V	48V
絕緣強度 Dielectric Strength	2500Vca a 50/60Hz	500Vca at 60Hz
絕緣電阻 Insulation resistance	1000MΩ	1000MΩ / 500Vdc
噪音指數 Noise Index	70mΩ	100mΩ / 6Vdc / 50mA
帶寬 Bandwidth	1kHz	1 GHz

由於特殊DataFlux集電器，我們可以保證最高質量的傳輸和信號的連續性

Thanks to the special DataFlux collector by Zeca, we can guarantee the highest quality of transmission and the continuity of the signal.

## 標準應用 / STANDARD APPLICATIONS



機器人和測量系統和檢查。  
· Robots and measurement systems and inspection.



包裝機  
· Packaging machines.



製造和過程控制設備  
· Manufacturing and process control equipment.



以太網  
(CAT 5E和CAT 6 mod. 也適合適合千兆網路)  
· Ethernet network (CAT 5E and CAT 6 mod. also suitable for Gigabit networks).



自動化總線 (可根據要求提供特定電纜)  
· Bus for automation  
(specific cables available on request).

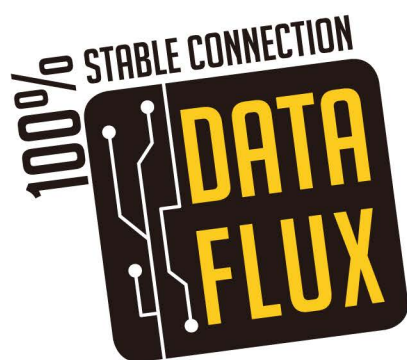


醫療器材  
· Medical equipment.



# 數據捲線盤

## DATA CABLE REELS



**SERIE 67**  
**ALUMINIUM CASE**  
**IP 65**



**SERIE 47**  
**PLASTIC CASE**  
**IP 42**



**AL41/71205**  
**ALUMINIUM CASE**  
**IP 42**

EN 61242 EN 60335-1



2006/42/CE  
2011/65/UE

### 滑環技術特徵

- 6/12/24觸點，最大容量2A，最大48V
- 金合金環和刷子
- 高度的可靠性和持續時間
- 低摩擦力矩
- 絕緣強度：60 Hz時500 Vca
- 絕緣電阻：→1000MΩ/ 500 Vcc
- 噪音：←100MΩa6 Vcc和50 Ma (5 rpm)

### 電纜技術特點

- 外包覆：PUR / TPE混合物高度柔韌，耐磨損/耐油/耐冷卻劑
- 無鹵素（依據EN 50267-2-1）
- 無鉛（依據2011/65 / EU ROHS-II）
- 心線成捆並使用接合器捆綁在高張應力中心 適合，短節距長度和俯仰方向，尤其是低扭轉結構可用於移動鋪設（減少曲率半徑）

### SLIPRING TECHNICAL FEATURES

- 6/12/24 contacts, max capacity 2A, max 48V.
- Gold alloy rings and brushes.
- High reliability and duration.
- Low friction torque.
- Dielectric strength: 500 Vca at 60 Hz.
- Insulation resistance: → 1000 MΩ/ 500 Vcc.
- Noise: ← 100 mΩ a 6 Vcc and 50 mA (at 5 rpm).

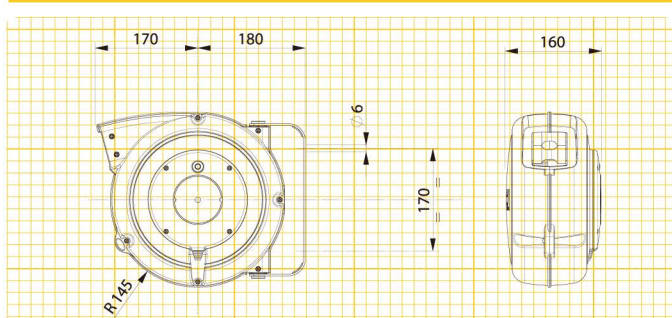
### CABLE TECHNICAL FEATURES

- Outer jacket: mixture In PUR/TPE highly flexible, abrasion/oil/coolers - resistant.
- Silicon-free.
- Halogen-free (following EN 50267-2-1).
- Lead-free (following 2011/65/EU ROHS-II).
- Cores combined in bundles and stranded together around a centre for high tensile stresses with adapted, short pitch lengths and pitch directions, especially low-torsion structure.
- Usable for mobile laying (reduced radius of curvature).

導體數 Number of conductors	電纜長度 (m) Cable length (m)	料號 ART.	電纜直徑 Cable diameter Ø	電纜類型 Cable type	IGUS 代碼 IGUS code	防水等級 IP
[5 x 0,5] C	12 + 1	<b>470505C</b>	7,5	TPE	CF10.05.05	42
	20 + 2	<b>670505C</b>				65
6 x 0,75	15 + 1	<b>470607</b>	8	TPE	CF9.07.07	42
	20 + 2	<b>670607</b>				65
[11 x 0,25] C	8 + 1	<b>471102C</b>	9,5	TPE	CF10.02.12	42
	18 + 2	<b>671102C</b>				65
[11 x 0,5] C	10 + 2	<b>671105C</b>	11,5	TPE	CF10.05.12	65
[23 x 0,25] C	6 + 2	<b>672302C</b>	13	TPE	CF10.02.24	65
12 x 0,5	9 + 1	<b>471205</b>	9,5	TPE	CF9.05.12	42
	9 + 1	<b>AL41/71205</b>				65
	20 + 2	<b>671205</b>				65
24 x 0,5	15 + 2	<b>142405</b>	13	TPE	CF9.05.25	65

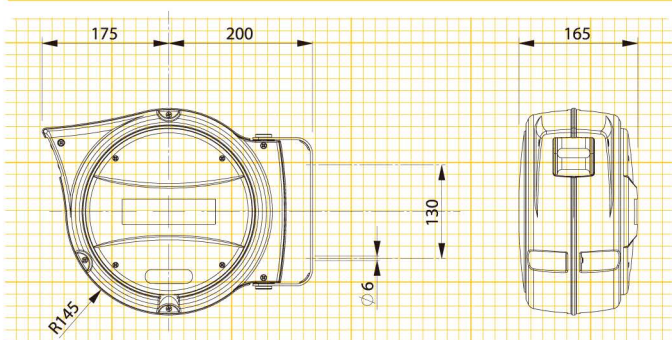
導體數 Number of conductors	電纜長度 (m) Cable length (m)	料號 ART.	電纜直徑 Cable diameter Ø	電纜類型 Cable type	IGUS 代碼 IGUS code	防水等級 IP
[4 x (2 x 0,15)] C	11 + 1	<b>4708 CAT5E</b>	7,5	PUR	CFBUS.PUR.045	42
	20 + 2	<b>6708 CAT5E</b>				65
	11 + 1	<b>4708 CAT6</b>			CFBUS.PUR.049	42
	20 + 2	<b>6708 CAT6</b>				65

## DIMENSIONS SERIE 47



	44
	mm 335x310x185 kg 5

## DIMENSIONS AL41/71205



	44
	mm 335x310x185 kg 5

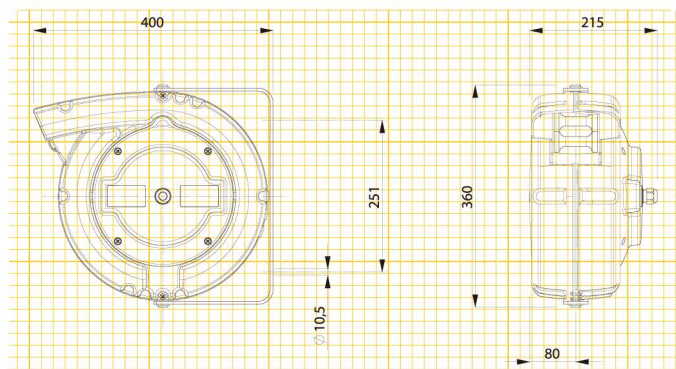
## OPTIONAL 可選裝置

### ART. 949

可選裝置，使支架固定，而取代可定向

*Optional device to make the bracket fastened, instead of orientable.*

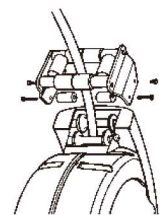
### DIMENSIONS SERIE 67



### ART. 953

適用於67系列 - 滾輪電纜導槽  
主要的作為天花板安裝

*For 67 serie - Roller cable-guide.  
Essential for ceiling installation.*



	30
	mm 400x390x290 kg 13

# 電纜數據表

## CABLES DATASHEET

### CAVO CF9



彎曲半徑：5 x d  
Bend radius: 5 x d



溫度：-35°C a + 100°C  
Temperature: -35°C to +100°C



導體：絞合導體，特別抗彎曲由裸銅線組成的設計  
(依循DIN EN 60228)  
Conductor: stranded conductor in especially bending-resistant design consisting of bare copper wires (following DIN EN 60228)



中心絕緣：機械高質量的TPE混合物  
Core insulation: mechanically high-quality TPE mixture.



核心結構：核心纏繞成束，然後纏繞高拉伸強度的中心元件  
Core structure: cores wound in bundles which are then wound around a high tensile strength centre element



核心識別：  
心線 < 0.75<sup>2</sup>mm：顏色代碼符合符合DIN 47100標準  
心線 ≥ 0.75<sup>2</sup>mm：黑色心線，白色數字，一個心線

- Core identification: Cores < 0,75<sup>2</sup>mm: colour code in accordance with DIN 47100.
- Cores ≥ 0,75<sup>2</sup>mm: black cores with white numerals, one core green-yellow



外包覆：低附著力，極耐磨和高度柔韌的TPE混合物。顏色：鋼藍色 (RAL 5011)  
Outer jacket: low-adhesion, extremely abrasion-resistant and highly flexible TPE mixture. Colour: steel-blue (RAL 5011)



公稱電壓：300/500V(依循DIN VDE 0298-3)  
Nominal voltage: 300/500 V (following DIN VDE 0298-3)



測試電壓：2000V(依循DIN EN 50395)  
Testing voltage: 2000 V (following DIN EN 50395)



抗紫外線性能：高  
UV resistance: high



耐油性：耐油(符合DIN EN 60811-404)，耐生物油(依循VDMA 24568 Plantocut 8 S-MB由DEA測試，第4類)

Oil resistance: oil resistant (following DIN EN 60811-404), bio-oil resistant (following VDMA 24568 with Plantocut 8 S-MB tested by DEA), Class 4



不含矽膠：矽膠可能影響油漆附著力(依循PV 3.10.7-statusm 1992)  
Silicone-free: free from silicone which can affect paint adhesion (following PV 3.10.7 - statusm 1992)



無鹵素：符合DIN EN 60754標準  
Halogen-free: following DIN EN 60754



無鉛：依循2011/65 / EU (RoHS-II)  
Lead-free: following 2011/65/EU (RoHS-II)

### CAVO 電纜



彎曲半徑：12.5 x d  
Bend radius: 12,5 x d



溫度：-20°C 至 + 70°C  
Temperature: -20°C to +70°C



導體：絞合導體，特別抗彎曲由裸銅線組成的設計(依循DIN EN 60228)  
Conductor: stranded conductor in especially bending-resistant design consisting of bare copper wires (following DIN EN 60228).



心線絕緣：根據總線規範  
Core insulation: according to bus specification



心線結構：根據總線規範  
Core structure: according to bus specification



心線識別：根據總線規範  
Core identification: according to bus specification



整體屏蔽由鍍錫銅電線製成的抗彎曲編織物。覆蓋率約為55%線性，約80%光學  
Overall shield Bending-resistant braiding made of tinned copper wires. Coverage approx. 55 % linear, approx. 80 % optical



外包覆低粘附性，高耐磨性PUR混合物，適應電子鏈中的要求(依循DIN EN 50363-10-2)。顏色：紅丁香(類似於RAL 4001)  
Outer jacket Low-adhesion, highly abrasion-resistant PUR mixture, adapted to suit the requirements in e-chains® (following DIN EN 50363-10-2). Colour: Red lilac (similar to RAL 4001)



公稱電壓：50 V  
Nominal voltage: 50 V



測試電壓：500 V  
Testing voltage: 500 V



抗紫外線：中等  
UV resistance: medium



耐油性：耐油(符合DIN EN 50363-10-2)，  
Oil resistance: oil-resistant (following DIN EN 50363-10-2), Class 3.



不易燃的：  
根據IEC 60332-1-2, CEI20-35, FT1, VW-1  
Flame retardant:  
according to IEC 60332-1-2, CEI 20-35, FT1, VW-1



不含矽膠：矽膠可能影響油漆附著力(依循PV 3.10.7-statusm 1992)  
Silicone-free: free from silicone which can affect paint adhesion (following PV 3.10.7 - statusm 1992)



無鹵素：符合DIN EN60754  
Halogen-free: following DIN EN 60754



無鉛：依循2011/65 / EU (RoHS-II)  
Lead-free: following 2011/65/EU (RoHS-II)



-  彎曲半徑：5 x d  
Bend radius: 5 x d
-  溫度：-35°C 至+ 100°C  
Temperature: -35°C to +100°C
-  導體：絞合導體，特別抗彎曲  
由裸銅線組成的設計（遵循DIN EN 60228）  
Conductor: stranded conductor in especially bending-resistant design consisting of bare copper wires (following DIN EN 60228).
-  心線絕緣：機械高質量的TPE混合物  
Core insulation: mechanically high-quality TPE mixture.
-  心線結構：核心纏繞成束，然後纏繞高拉伸強度的中心元件  
Core structure: cores wound in bundles which are then wound around a high tensile strength centre element.
-  心線識別：  
心線 $<0.75^2$ mm: 顏色代碼符合 符合DIN 47100標準  
心線 $\geq 0.75^2$ mm: 黑色心線，白色數字，一個心線黃綠色  
Core identification:  
  - Cores  $<0.75^2$ mm: colour code in accordance with DIN 47100.
  - Cores  $\geq 0.75^2$ mm: black cores with white numerals, one core green-yellow.
-  內護套：TPE混合物，適合於E-鏈要求  
Inner jacket: TPE mixture, adapted to suit the requirements in e-chains®
-  由鍍錫銅線製成的抗彎曲編織物  
Extremely bending-resistant braiding made of tinned copper wires
-  外包覆：低粘附性，極其耐磨和耐磨  
高度柔韌的TPE混合物。 顏色：鋼藍色 (RAL 5011)  
Outer jacket: low-adhesion, extremely abrasion-resistant and highly flexible TPE mixture. Colour: steel-blue (RAL 5011)
-  公稱電壓：300/500V(依循DIN VDE 0298-3)  
Nominal voltage: 300/500 V (following DIN VDE 0298-3)
-  測試電壓：2000V(依循DIN EN 50395)  
Testing voltage: 2000 V (following DIN EN 50395)
-  抗紫外線：高  
UV resistance: high
-  耐油性：耐油(符合DIN EN 60811-404)，耐生物油(依循VDMA 24568與Plantocut 8S-MB由DEA)，Class4測試  
Oil resistance: oil resistant (following DIN EN 60811-404), bio-oil resistant (following VDMA 24568 with Plantocut 8 S-MB tested by DEA), Class 4
-  不含矽膠：矽膠可能影響油漆附著力  
(依循PV 3.10.7-statusm 1992)  
Silicone-free: free from silicone which can affect paint adhesion (following PV 3.10.7 - statusm 1992)
-  無鹵素：符合DIN EN60754  
Halogen-free: following DIN EN 60754
-  無鉛：依循2011/65/EU(RoHS-II)  
Lead-free: following 2011/65/EU (RoHS-II)