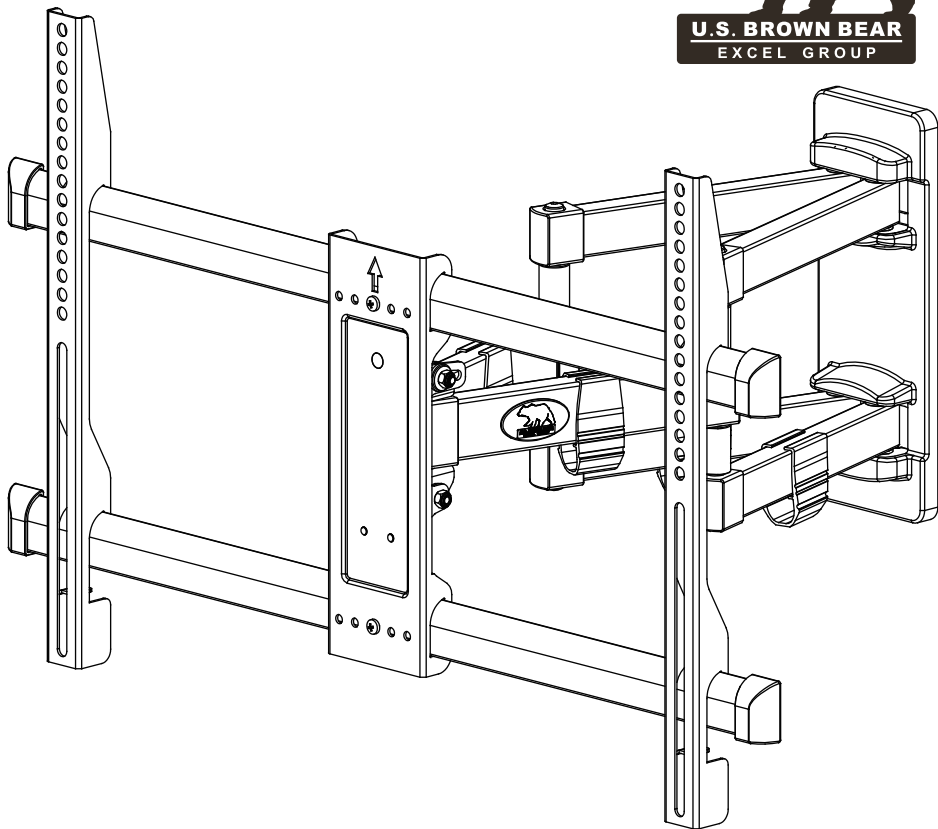


Full-Motion Mount with tilt Instruction Manual



6BA-80

U.S. Brown Bear Product Warranty 注意事項

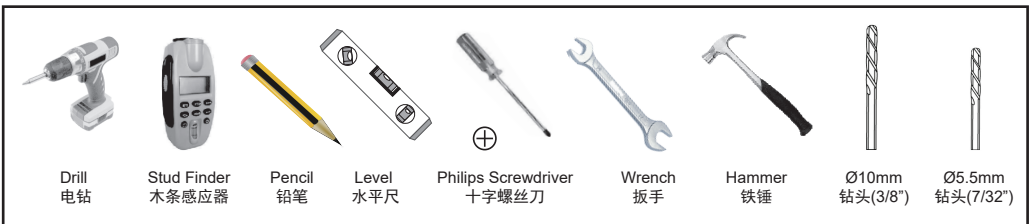
- Warning! Severe personal injury and property damage can result from improper installation or assembly. Read the following warnings before beginning.
- If you do not understand the instructions or have any concerns or questions, please contact a qualified installer, Excelmount customer service at 1.877.338.4555 or service@usbrownbear.com.
- Do not install or assemble if the product or hardware is damaged or missing. If you require replacement parts, contact excelmount customer service at 1.877.338.4555 or service@usbrownbear.com. International customers need to contact a local distributor for assistance.
- For wall mounted products: this product has been designed for use on a vertical wall constructed of wood studs or masonry (solid concrete). Wood studs being defined as a wall consisting of a minimum of 2 x 4 inch studs with a maximum of 24 inch stud spacing and a minimum of 16 inch stud spacing with a maximum of 7 inch of wall covering (drywall, lath, plaster). For custom installation please contact a qualified installer. For safe installation, the wall you are mounting to must support 4 times the weight of the total load. If not, the surface must be reinforced to meet this standard. The installer is responsible for verifying that the wall structure/surface and the anchors used in the installation will safely support the total load.
- This product is not designed to support the load of a crt or flat screen television. Do not use this product for any application other than those specified by excelmount.
- This product may contain moving parts. Use with caution.
- Do not exceed the maximum weight capacity for this product.
- U.S. BROWN BEAR products are covered against defects in materials and workmanship for 5 years. U.S. BROWN BEAR will repair or replace the defective component or product, at its sole discretion. Failure to follow product care instructions from U.S. BROWN BEAR will result in void of warranty.
- To obtain warranty service, contact U.S. BROWN BEAR customer service at 1.510.891.1365 or service@usbrownbear.com. You must supply a copy of your original receipt. If your product must be shipped to U.S. BROWN BEAR for inspection, you will be responsible for the shipping charges. Replacement product shipped to you will be returned freight pre-paid.
- U.S. BROWN BEAR disclaims any liability for modifications, improper installations, installations over the specified weight range, or failure to follow care instructions provided by U.S. BROWN BEAR. To the maximum extent permitted by law, U.S. BROWN BEAR disclaims any other warranties, expressed or implied, including warranties of fitness for a particular purpose and warranties of merchantability. U.S. BROWN BEAR will not be liable for any damages arising out of the use of, or inability to use, U.S. BROWN BEAR products. U.S. BROWN BEAR bears no responsibility for incidental or consequential damages. This includes, but is not limited to, any labor charges for the repair of U.S. BROWN BEAR products performed by anyone other than U.S. BROWN BEAR.
- Specifications are subject to change without prior notice.

请安装人员在安装前请务必详读以下注意事项

如果安装或组装不当，可能导致重伤、死亡和财产损毁。

- 未依以下说明操作规定而造成的产品问题，意外伤害与损失，本公司一概不予以负责。
- 对产品外观的修改、不适当的安装、超出限重范围内，而造成之所有质量异常，非敝司应负责任。
- 针对所有不适当的安装产生的危害，本公司将免于相关责任归属，亦无需负责维修费用。
- 如果您不了解说明或者遇到任何疑问，请与具备资格的安装人员联系。可通过电话号码 07-392-6566或电子邮件servicetw@usbrownbear.com与客户服务部门联系。
- 如果产品或硬件有受损或缺失，请不要安装或组装。如果您需要更换零件，请通过电话号码或电子邮件与客户服务部门联系。
- 对于壁挂式产品:此产品限在由木墙柱结构或砌筑结构(实心混凝土)搭建的垂直墙面上使用。规定的墙壁立木柱最小尺寸为5cm x 10cm，立柱间距最大为61cm，最小为41cm，墙壁外壳材质(木板墙、立木柱、水泥墙)厚度为19CM，且木板墙面厚度需大于3公分。如果您不知道墙壁类型或者需要与其他墙面(金属立柱、实心混凝土和实心砖)有关的信息，请与具备资格的安装人员联系。为确保安全安装，用于安装产品的墙壁必须能够支撑相当于总荷重4倍的重量。否则必须强化墙面以便符合此标准。安装人员负责确认墙壁结构/表面以及安装中使用的螺丝能够安全的支持总荷重。
- 本产品不适用于承载CRT。不要将此产品用于超出指定应用范围的任何应用，也不要安装超过此产品的最大荷重。
- 安装时请谨慎的避开墙内管线:如天然气/水管/电线。
- 若您的产品需寄回检测，需自行负担送修运费，运送替换之新产品所需运费，需由送修者负担。
- 规格如有变更请详见于本公司网站Web : www.excelglobal.com.tw, 恕不另外通知。

Tools Needed 需要的工具



Weight & Size Capacity 载重范围与荧幕尺寸范围



CAUTION!













Max Screen Size
最大尺寸



Max Screen Weight
最大承重

*Recommended use with Wood Stud & Concrete Wall
建议在木立柱与水泥墙上使用
*Be careful of in-wall utilities:
plumbing / natural gas / electrical
要谨慎地避开墙内管线:如管/天然汽管线/电线

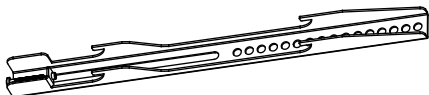
Hardware Kit 螺丝包

墙板螺丝 Wall Kit			荧幕螺丝 Monitor Kit										
六角自攻钉 Lag Bolts ST8 x65mm	塑胶膨胀管 Wall Anchors ∅10 ∅9 L61mm	垫片 Washer 8mm	螺丝 Philips Screws M4 x 12mm M4 x 30mm	螺丝 Philips Screws M5 x 12mm M5 x 30mm	螺丝 Philips Screws M6 x 15mm M6 x 30mm	螺丝 Philips Screws M8 x 15mm M8 x 45mm	衬套 Spacers L10mm	金属垫片 Washers ∅6mm M4-5-6	衬套 Spacers L5mm				
			 x4	 x4	 x4	 x4	 x4	 x4	 x8				
W-A	W-B	W-C	M-A	M-B	M-C	M-D	M-E	M-F	M-G	M-H	M-I	M-J	M-K

Contents 内容

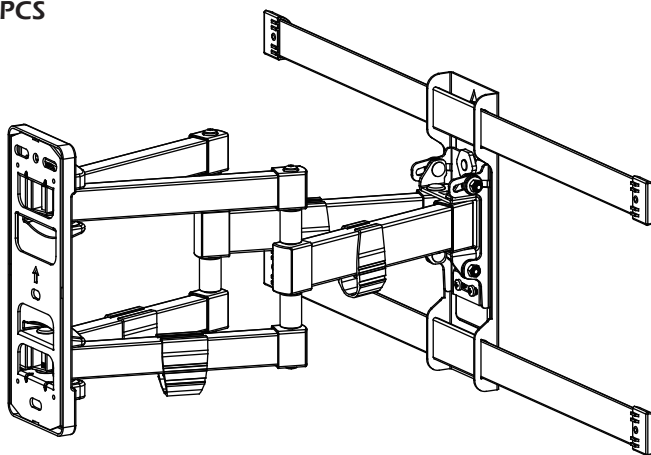
Screen Brackets x 2PCS

面板件 x 2件



Wall Bracket x 1PCS

牆支架 x 1件



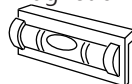
组装配件 Assembly Parts

开口扳手
Open-end Wrench M6mm



x1

磁铁水平仪
Magnetic Level

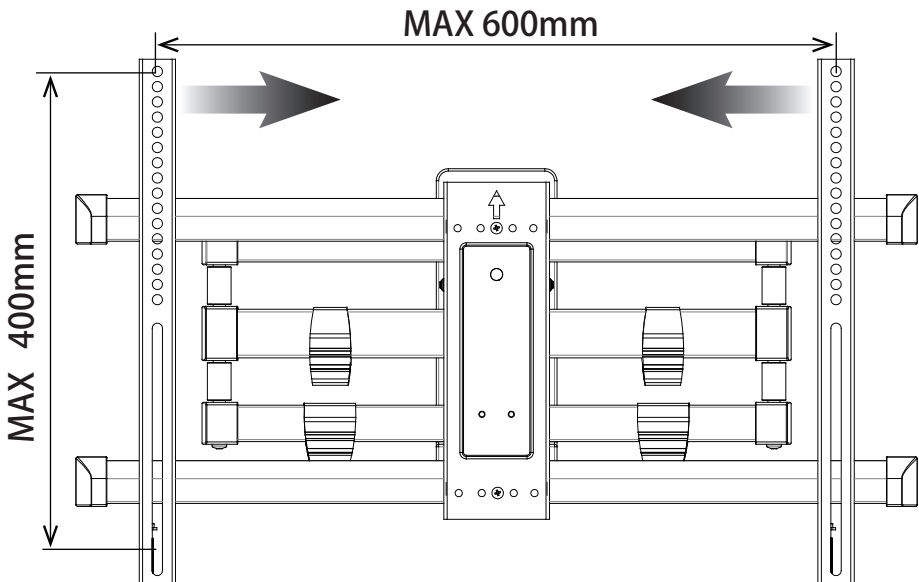
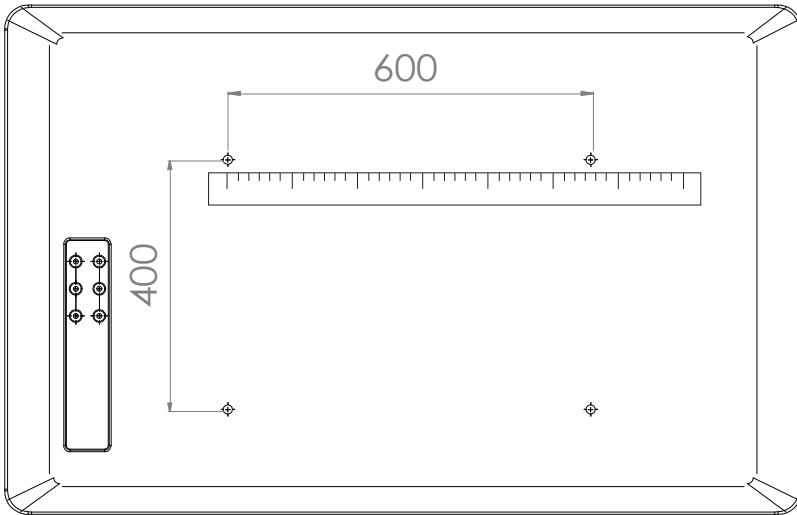


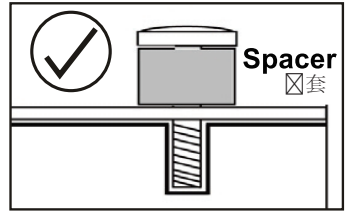
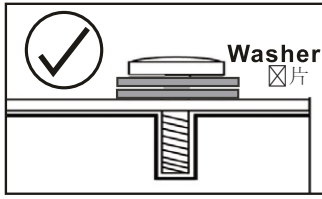
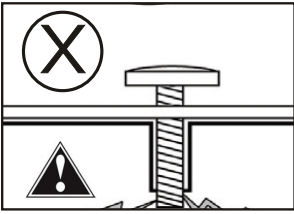
x1

Flat Screen Bracket Attachment Steps 荧幕支架安装步骤

Before the Installation Steps 安装前置作业

- 1 Identify your VESA pattern on the back of Flat Screen. For any VESA pattern within 600mm*400mm
了解荧幕背孔孔距,适合任何600*400mm以内的VESA安装孔。





Not Included



When attaching brackets to the flat screen be careful not to over tighten screws and be sure that screws do not bottom out in the mounting holes.

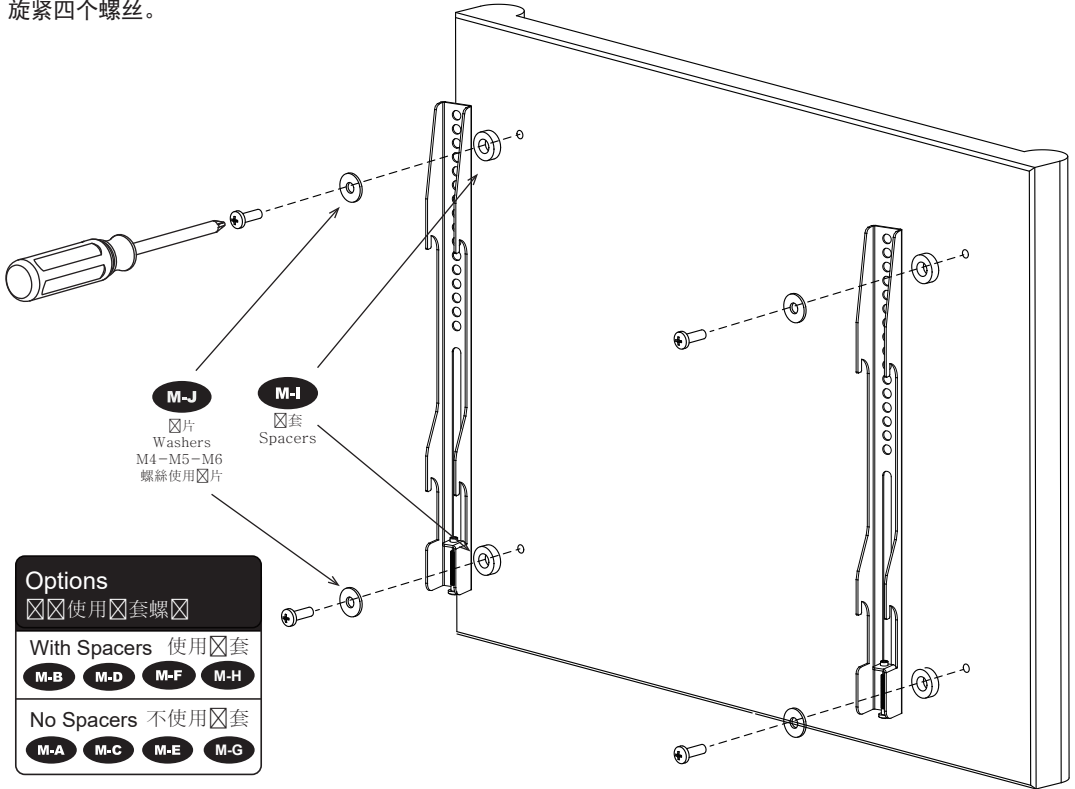
安装平板电视不要太过用力旋紧螺丝，并确保螺丝长度不要超过面板孔深！

Install The Monitor Bracket On Flat Screen. 面板件与荧幕组装步骤

Align VESA hole pattern on back of Flat Screen.

Secure with appropriate screw size and washers from Monitor Kit as illustrated.

先将面板对齐荧幕背面的孔位，再从荧幕螺丝配件中挑选适合您荧幕尺寸的螺丝，并以十字螺丝起子旋紧四个螺丝。



Options
 ☒☒使用☒套☒

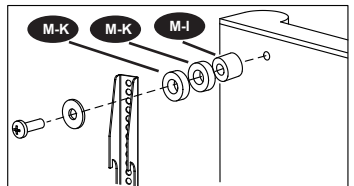
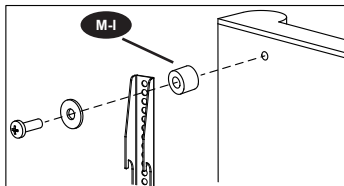
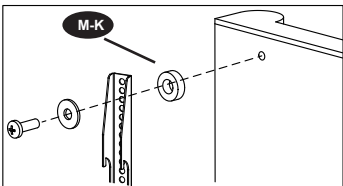
With Spacers 使用☒套

M-B M-D M-F M-H

No Spacers 不使用☒套

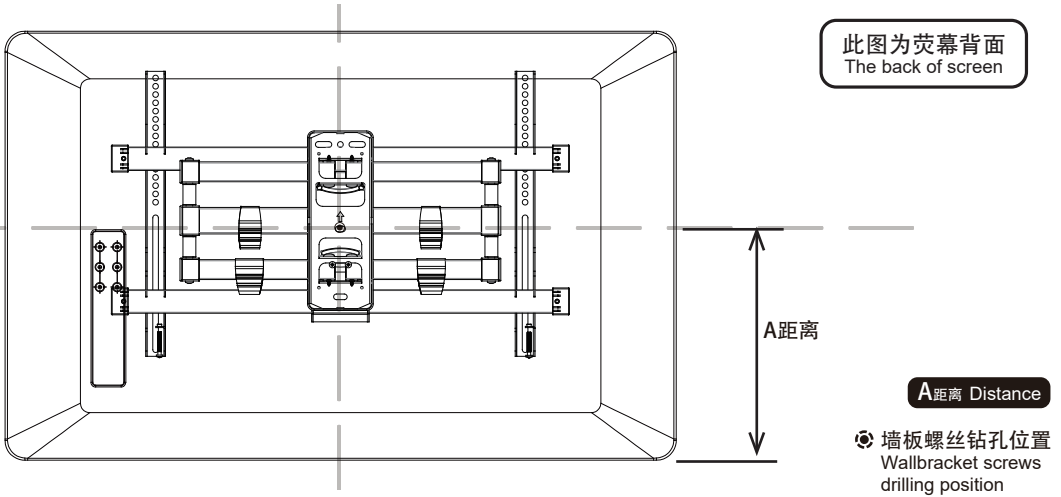
M-A M-C M-E M-G

select the proper spacers or spacer suit as below. 根据需要选用合适的衬套或衬套组合，如下图。

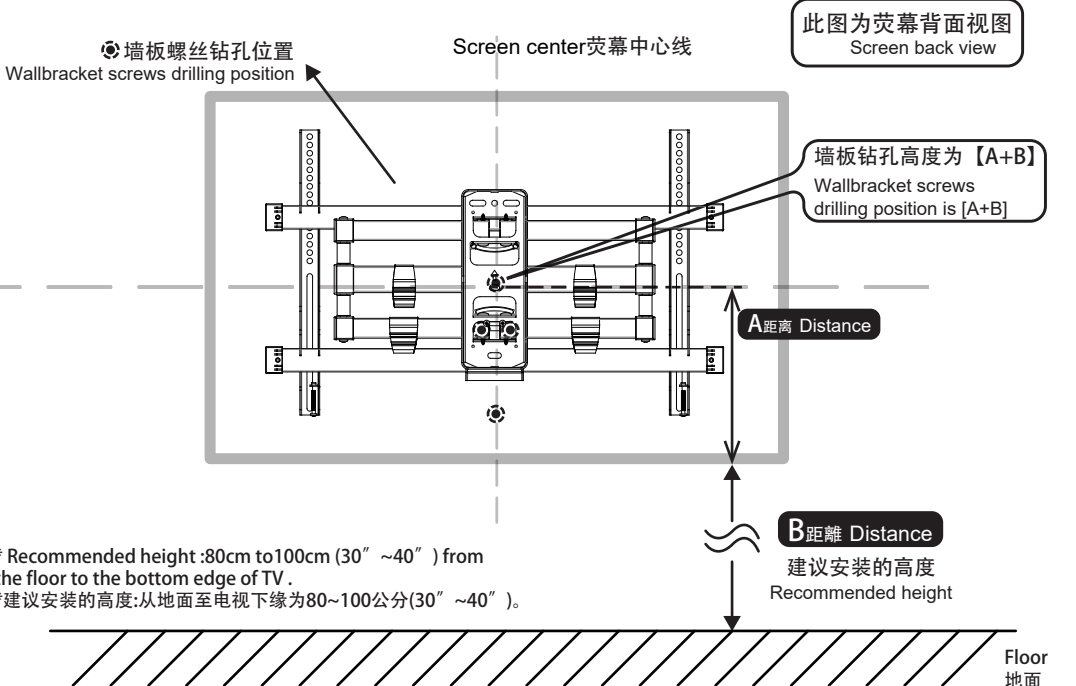


To Find Out The Screws Drilling Position With Wall Bracket 找出墙板件钻孔的高度

- 1** Align the TV Mount body to proper position with extension bars and measure from center of the TV Mount wall plate to the edge of the screen to find out the distance. This "A" distance will tell you after TV is mounted where the edge of the TV will be on the wall. The TV mount wall plate is 3 inches off of the center of the mount.
将支架组件摆放至荧幕面板背面合上面板件相对应的位置，量测支架中心到荧幕边缘A距离。



- 2** Make sure expected the installation distance B, to find out the screws drilling position.
确定预计安装的距离(B距离)，找出钻孔的高度

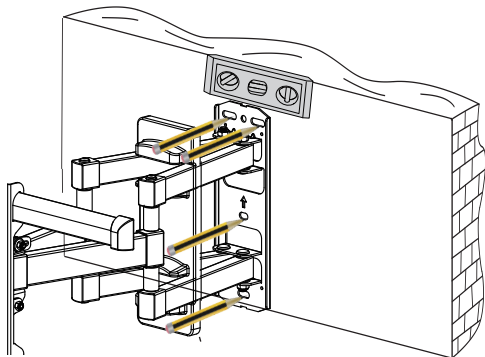


* Recommended height :80cm to 100cm (30" ~40") from the floor to the bottom edge of TV .

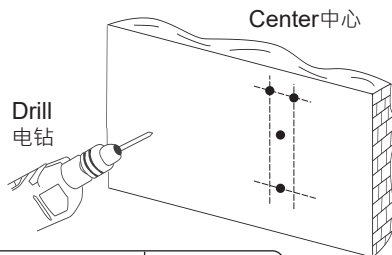
*建议安装的高度:从地面至电视下缘为80~100公分(30" ~40")。

Wall Bracket Installation Steps for Concrete 水泥墙安装步骤

- 1** Mark drilling locations at the desired height with pencil(x4).
Use the level to ensure proper alignment.
标注墙板安装孔位置，使用水平仪确保水平。

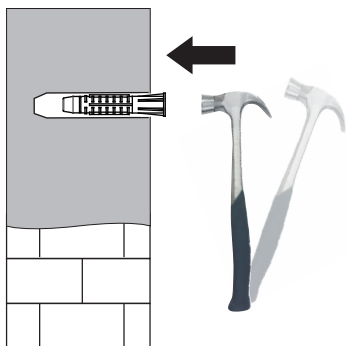


- 2** Drill pilot holes at marked locations(x4).
使用电钻钻孔(x4)。

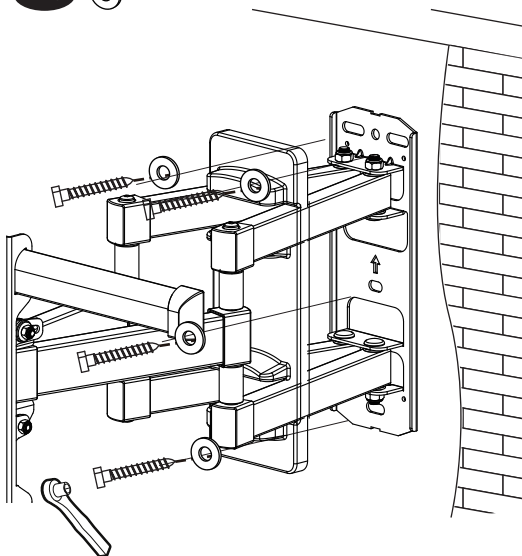
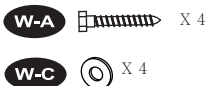


Pilot Hole Size 钻孔尺寸	3/8"(10 mm)
Pilot Hole Depth 钻孔深度	2 3/4"(70 mm)

- 3** Gently hammer Wall Anchors into pilot holes (x4).
用铁锤将膨胀管插入孔洞中(x4)。

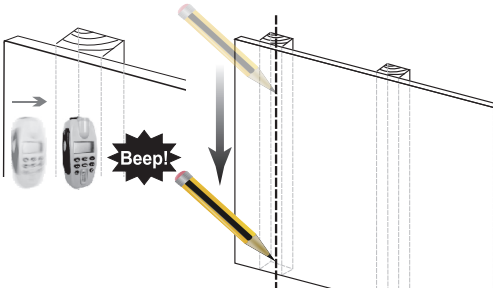


- 4** Secure the wall bracket using W-A Lag Bolt and W-C Washer
将墙板螺丝套上垫片，锁紧墙板。

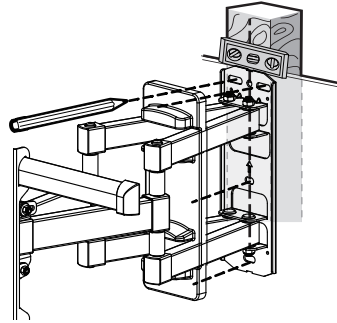


Wall Bracket Installation Steps for Wood Studs 木立柱墙安装步骤

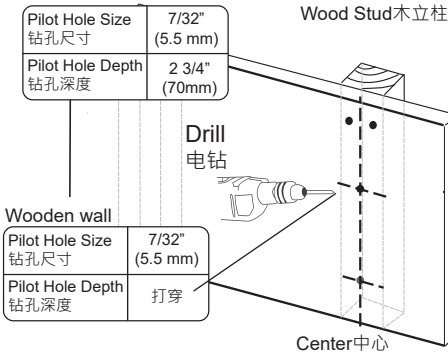
- 1** Locate studs with stud finder. Mark stud edge and center location with pencil.
使用木条感应器测量出木立柱中心点并标注。



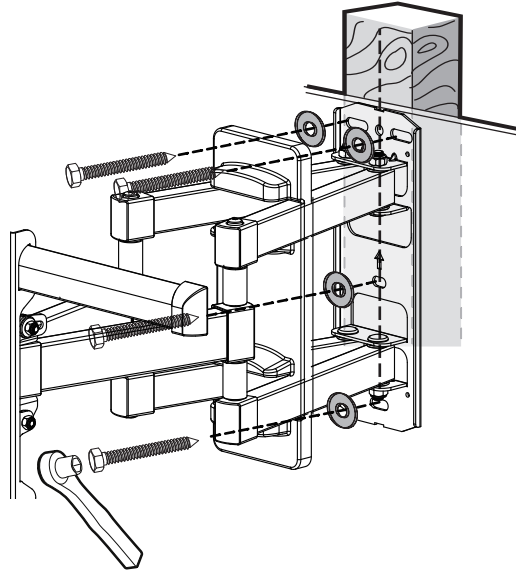
- 2** Use Wall plate to mark drilling locations at the desired height. Use level to ensure proper alignment.
利用墙板调至适当高度后，用铅笔标注钻孔位置(x4)。同时利用水平尺确认墙板的水平。



- 3** Drill pilot holes at marked locations (x4).
在标注处钻孔(x4)。

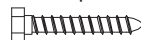


- 4** Secure the wall bracket using W-A Lag Bolt and W-C Washer
将墙板螺丝套上垫片，锁紧墙板。



W-A

六角自攻钉
Lag Bolts
ST8 x 65mm
x 4pcs



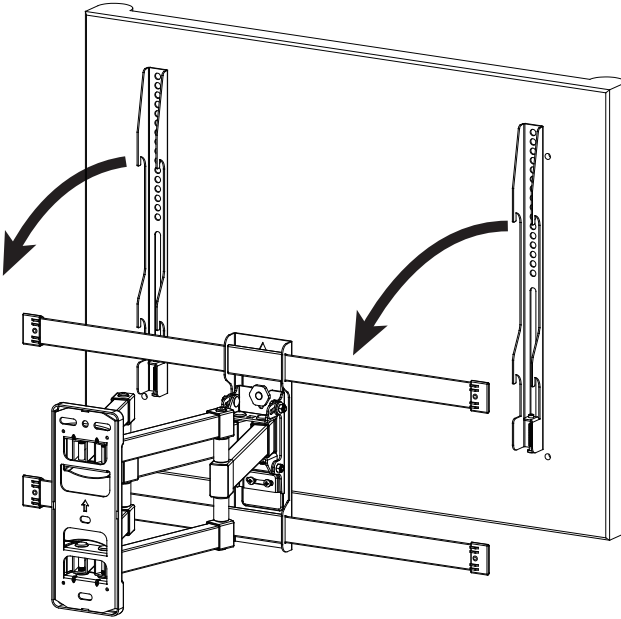
W-C

垫片8mm
x 4pcs



Attention: the holes must be drilled at the stud.
注意:所有孔必须打在木立柱上。

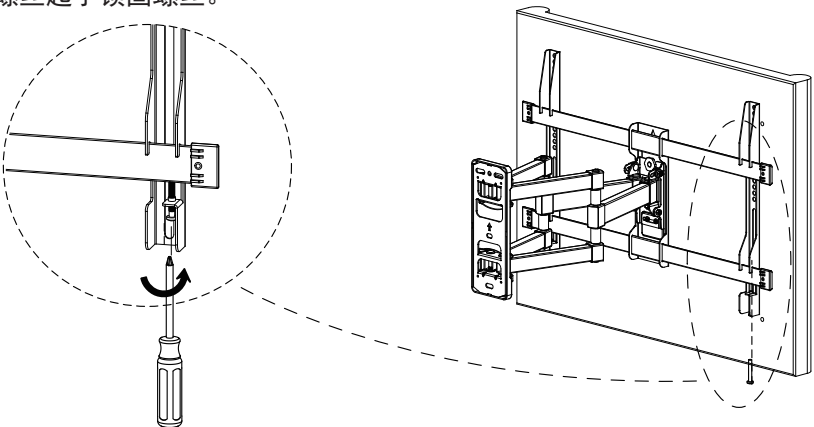
- 1 Lift and hook flat screen with attached brackets to the wall brackets.
將螢幕件掛置于牆版件上。使用十字螺絲起子鎖固螺絲。



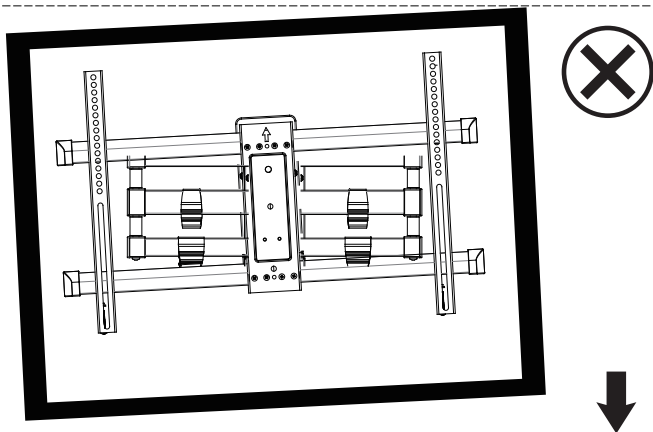
Assistance may be required to lift your flat screen into position.

您可能需要他人協助將螢幕件掛上定位。

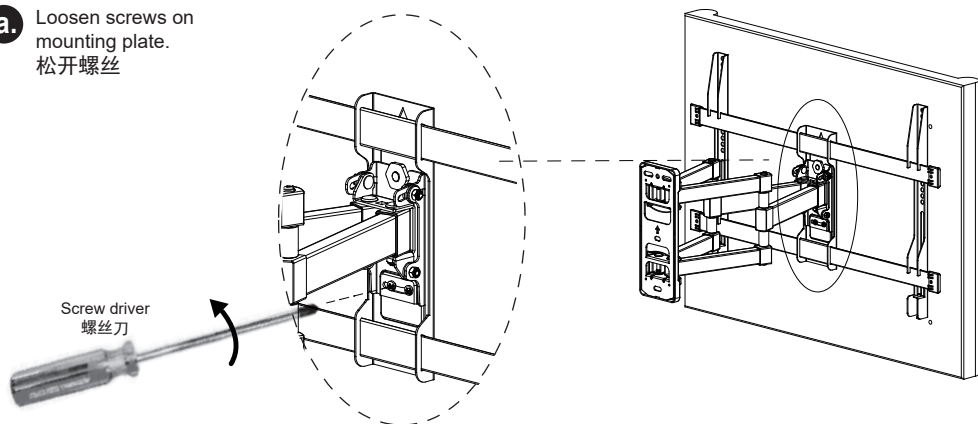
- 2 Lift and hook flat screen with attached brackets to the wall brackets.
使用十字螺絲起子鎖固螺絲。



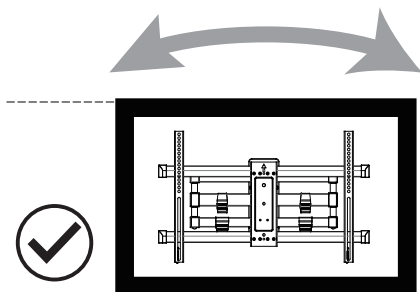
- 3** To adjust Tilt or Alignment of Flat Screen use open-end wrench and screw-driver.
若荧幕面板部份不平整，请使用开口扳手跟螺丝刀松开螺丝跟螺母，调整面板角度至水平后，再将螺丝跟螺母旋紧。



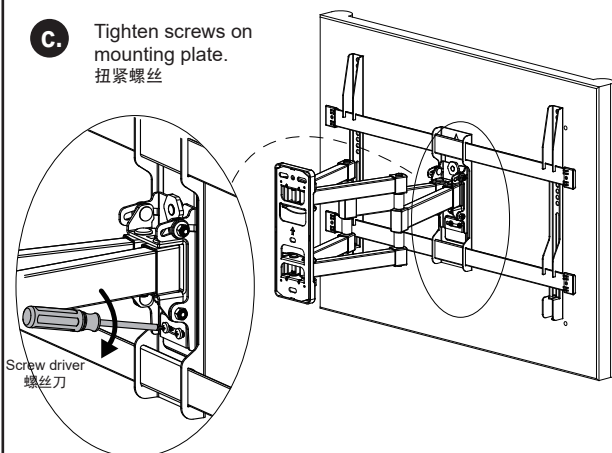
- a.** Loosen screws on mounting plate.
松开螺丝

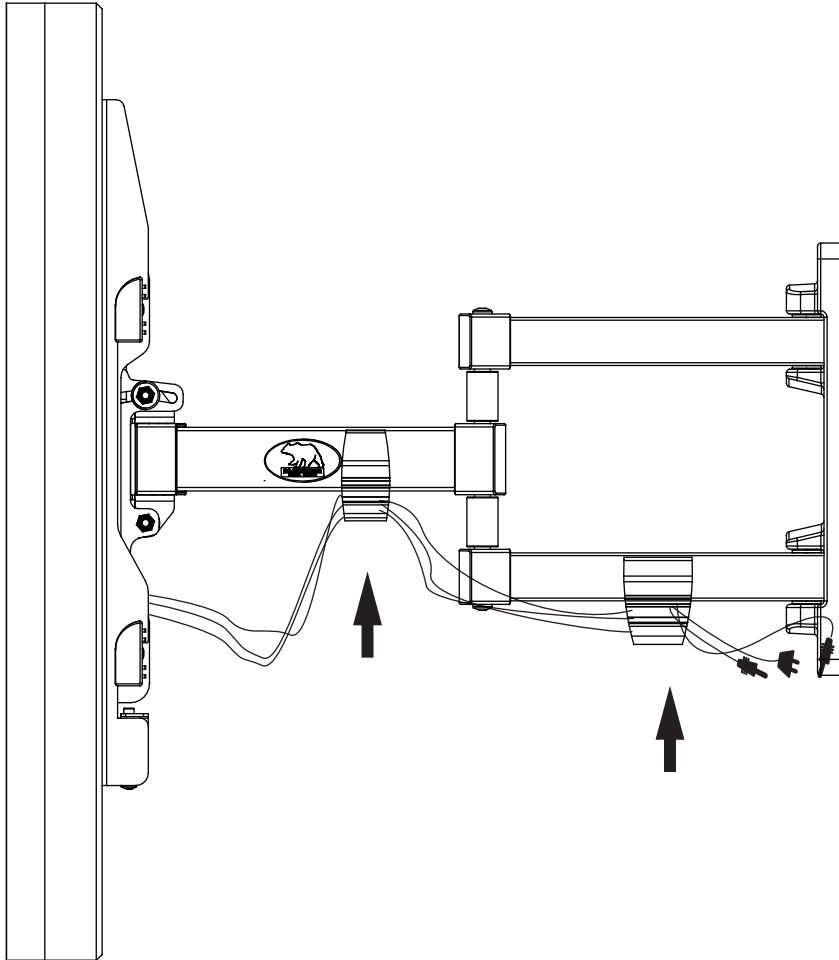


- b.** Adjust tilt or angle of Flat Screen.
调整面板角度至水平



- c.** Tighten screws on mounting plate.
扭紧螺丝





THANK YOU FOR PURCHASING U.S. BROWN BEAR PRODUCTS.

感谢您购买U. S. BROWN BEAR 的产品。



Come hang with us



www.usbrownbear.com
service@usbrownbear.com

North America & South America

United States Office
E-MAIL: us@usbrownbear.com
TEL: +1.510.891.1365
FAX: +1.877.338.4555
ADD: 2855 Mandela Pkwy #11, Oakland CA 94608

Asia Pacific

China Office
E-MAIL: asia@usbrownbear.com
TEL: +86.574.8826.5318
FAX: +86.574.8826.5730
ADD: Park Chehe, Shiqi Town, Yinzhou District,
Ningbo 315153 China

Europe & Other Regions

Taiwan Office
E-MAIL: salestw@usbrownbear.com
Tel: +886-7-392-6566
Fax: +886-7-392-5567
ADD: No.116, WanhSing Street, Sanmin
District, Kaohsiung 80794, Taiwan, R.O.C.