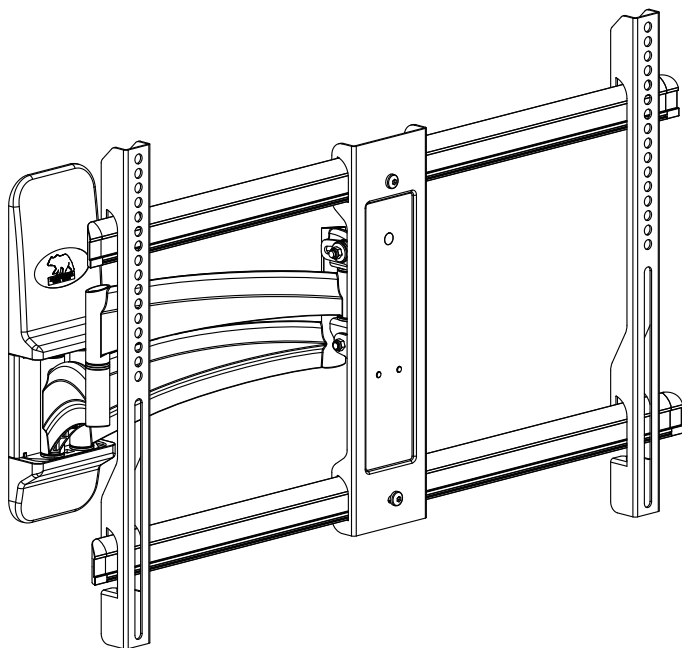


Full-Motion Mount with tilt Instruction Manual



VCMB70

U.S. Brown Bear Product Warranty 注意事項

- Warning! Severe personal injury and property damage can result from improper installation or assembly. Read the following warnings before beginning.
- If you do not understand the instructions or have any concerns or questions, please contact a qualified installer. Excelmount customer service at 1.877.338.4555 or service@usbrownbear.com.
- Do not install or assemble if the product or hardware is damaged or missing. If you require replacement parts, contact excelmount customer service at 1.877.338.4555 or service@usbrownbear.com. International customers need to contact a local distributor for assistance.
- For wall mounted products: this product has been designed for use on a vertical wall constructed of wood studs or masonry (solid concrete). Wood studs being defined as a wall consisting of a minimum of 2 x 4 inch studs with a maximum of 24 inch stud spacing and a minimum of 16 inch stud spacing with a maximum of 7 inch of wall covering (drywall, lath, plaster). For custom installation please contact a qualified installer. For safe installation, the wall you are mounting to must support 4 times the weight of the total load. If not, the surface must be reinforced to meet this standard. The installer is responsible for verifying that the wall structure/surface and the anchors used in the installation will safely support the total load.
- This product is not designed to support the load of a crt or flat screen television. Do not use this product for any application other than those specified by excelmount.
- This product may contain moving parts. Use with caution.
- Do not exceed the maximum weight capacity for this product.
- U.S. BROWN BEAR products are covered against defects in materials and workmanship for 5 years. U.S. BROWN BEAR will repair or replace the defective component or product, at its sole discretion. Failure to follow product care instructions from U.S. BROWN BEAR will result in void of warranty.
- To obtain warranty service, contact U.S. BROWN BEAR customer service at 1.510.891.1365 or service@usbrownbear.com. You must supply a copy of your original receipt. If your product must be shipped to U.S. BROWN BEAR for inspection, you will be responsible for the shipping charges. Replacement product shipped to you will be returned freight pre-paid.
- U.S. BROWN BEAR disclaims any liability for modifications, improper installations, installations over the specified weight range, or failure to follow care instructions provided by U.S. BROWN BEAR. To the maximum extent permitted by law, U.S. BROWN BEAR disclaims any other warranties, expressed or implied, including warranties of fitness for a particular purpose and warranties of merchantability. U.S. BROWN BEAR will not be liable for any damages arising out of the use of, or inability to use, U.S. BROWN BEAR products. U.S. BROWN BEAR bears no responsibility for incidental or consequential damages. This includes, but is not limited to, any labor charges for the repair of U.S. BROWN BEAR products performed by anyone other than U.S. BROWN BEAR.
- Specifications are subject to change without prior notice.

請安裝人員在安裝前請務必詳讀以下注意事項 如果安裝或組裝不當，可能導致重傷、死亡和財產損毀。

- 未依以下說明操作規定而造成的產品問題，意外傷害與損失，本公司一概不予以負責。
- 對產品外觀的修改、不適當的安裝、超出限重範圍內，而造成之所有品質異常，非敝司應負責任。
- 針對所有不適當的安裝產生的危害，本公司將免於相關責任歸屬，亦無需負責修繕費用。
- 如果您不瞭解說明或者遇到任何疑問，請與具備資格的安裝人員聯繫。可通過電話號碼 07-359-5931 或電子郵件 servicetw@usbrownbear.com 與客戶服務部門聯繫。
- 如果產品或硬體有受損或缺失，請不要安裝或組裝。如果您需要更換零件，請通過電話號碼或電子郵件與客戶服務部門聯繫。
- 對於壁掛式產品:此產品限在由木牆柱結構或砌築結構(實心混凝土)搭建的豎直牆面上使用。規定的牆壁立木柱最小尺寸為5cm x 10cm，立柱間距最大為61cm，最小為41cm，牆壁外殼材質(木板牆、立木柱、水泥牆)厚度為19CM，且木版牆面厚度需大於3公分。如果您不知道牆壁類型或者需要與其他牆面(金屬立柱、實心混凝土和實心磚)有關的資訊，請與具備資格的安裝人員聯繫。為確保安全安裝，用於安裝產品的牆壁必須能夠支撐相當於總荷重4倍的重量。否則必須強化牆面以便符合此標準。安裝人員負責確認牆壁結構/表面以及安裝中使用的螺絲能夠安全的支持總荷重。
- 本產品不適用於承載CRT。不要將此產品用於超出指定應用範圍的任何應用，也不要安裝超過此產品的最大荷重。
- 安裝時請謹慎的避開牆內管線:如天然氣/水管/電線。
- 若您的產品需寄回檢測，需自行負擔送修運費，運送替換之新產品所需運費，需由送修者負擔。
- 規格如有變更請詳見於本公司網站Web : www.excelglobal.com.tw，恕不另外通知。

Tools Needed 需要的工具



Weight & Size Capacity 載重範圍與螢幕尺寸範圍



CAUTION!



Max Screen Size
最大尺寸






Max Screen Weight
最大承重








*Recommended use with Wood Stud & Concrete Wall
建議在木立柱與水泥牆上使用
*Be careful of in-wall utilities:
plumbing / natural gas / electrical
要謹慎地避開牆內管線: 如 管/天然汽管線/電線

Hardware Kit 螺絲配件包

牆板螺絲 Wall Kit

六角自攻釘 Lag Bolts ST8 x65mm  x4 W-A	塑膠膨脹管 Wall Anchors Ø10 Ø7 L45mm  x4 W-B	墊片 Washer 8mm  x4 W-C
--	--	---

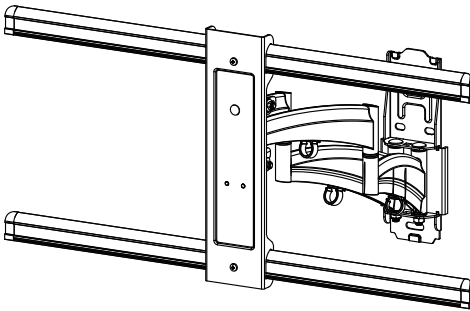
螢幕螺絲 Monitor Kit

螺絲 Philips Screws M4 x 12mm M4 x 30mm  x4 M-A	螺絲 Philips Screws M5 x 12mm M5 x 30mm  x4 M-B	螺絲 Philips Screws M6 x 15mm M6 x 30mm  x4 M-E	螺絲 Philips Screws M8 x 15mm M8 x 30mm  x4 M-F	襯套 Spacers L10mm  x4 M-I	金屬墊片 Washers Ø6mm M4-5-6  x4 M-J	襯套 Spacers L5mm  x8 M-K
--	--	--	--	--	---	---

Contents 內容

Wall Bracket x1PCS

牆支架x1件



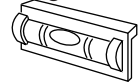
組裝配件 Assembly Parts

開口扳手
Open-end Wrench M6mm



x1

磁鐵水平儀
Magnetic Level



x1

Installation Template x 1PCS

安裝模板 x1件



Wall Plate Cover -A x 1PC

墙板盖A x 1件

A



Wall Plate Cover -B x 1PC

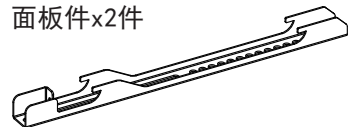
墙板盖B x 1件

B



Screen Brackets x 2PCS

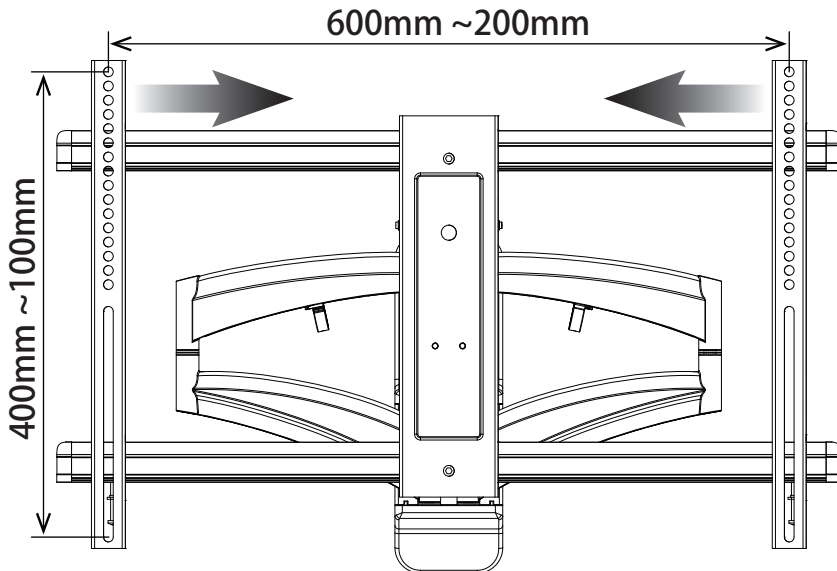
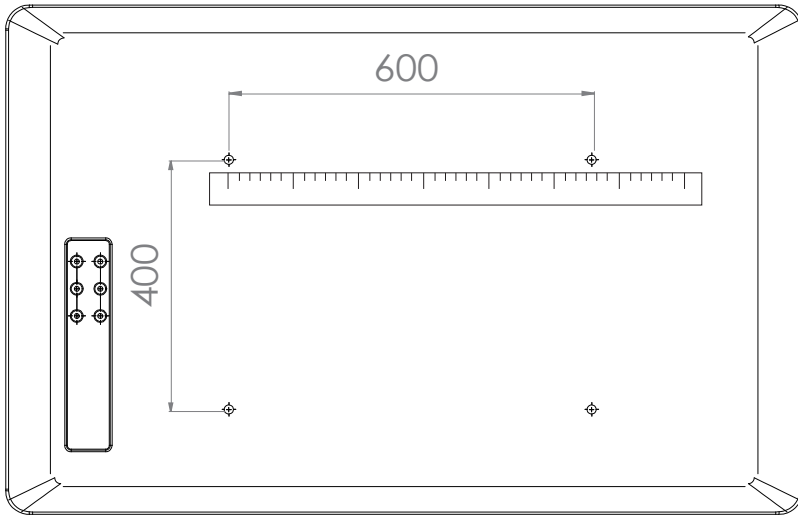
面板件x2件

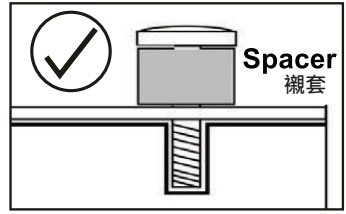
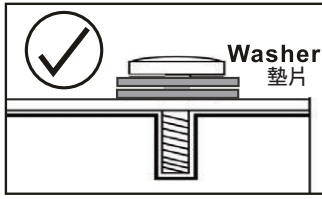
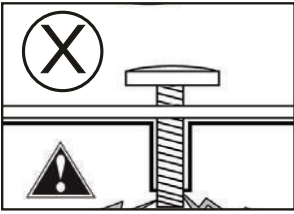


Flat Screen Bracket Attachment Steps 螢幕支架安裝步驟

Before the Installation Steps 安裝前置作業

- 1 Identify your VESA pattern on the back of Flat Screen. For any VESA pattern within 600mm*400mm 了解螢幕背孔孔距,適合任何600*400mm以內的VESA安裝孔。





Not Included



When attaching brackets to the flat screen be careful not to over tighten screws and be sure that screws do not bottom out in the mounting holes.

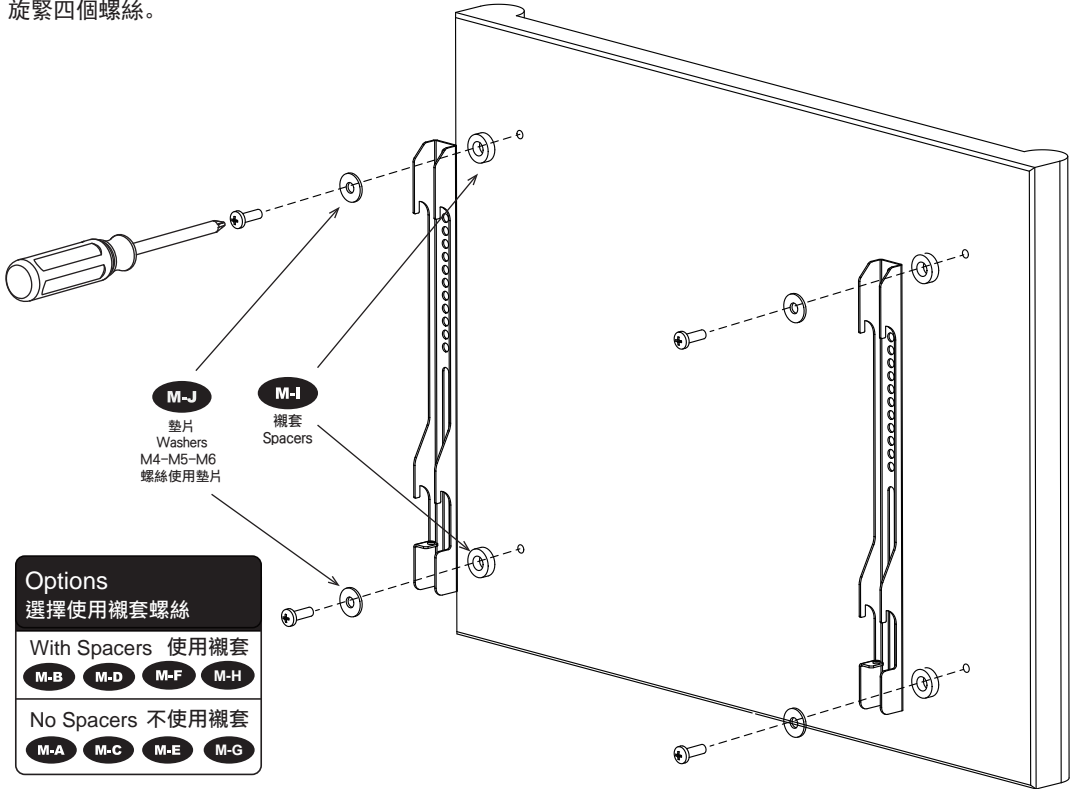
安裝平板電視不要太過用力旋緊螺絲，並確保螺絲長度不要超過面板孔深！

Install The Monitor Bracket On Flat Screen. 面板件與螢幕組裝步驟

Align VESA hole pattern on back of Flat Screen.

Secure with appropriate screw size and washers from Monitor Kit as illustrated.

先將面板對齊螢幕背面的孔位，再從螢幕螺絲配件中挑選適合您螢幕尺寸的螺絲，並以十字螺絲起子旋緊四個螺絲。



Options

選擇使用襯套螺絲

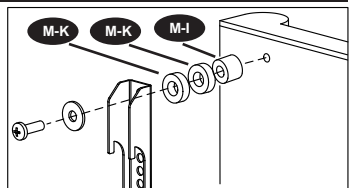
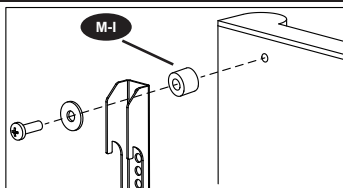
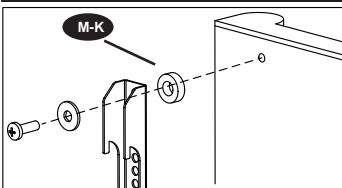
With Spacers 使用襯套

M-B M-D M-F M-H

No Spacers 不使用襯套

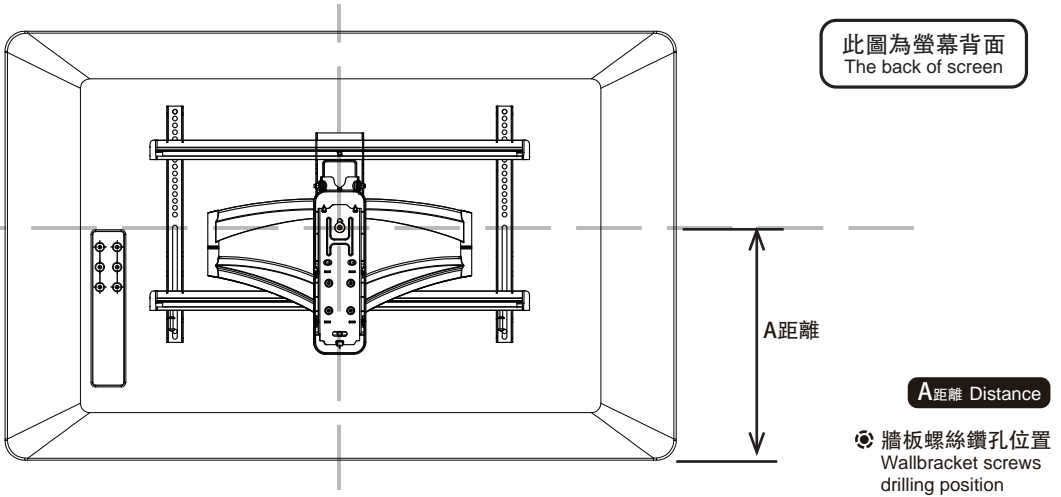
M-A M-C M-E M-G

select the proper spacers or spacer suit as below. 根据需要选用合适的衬套或衬套组合，如下图。

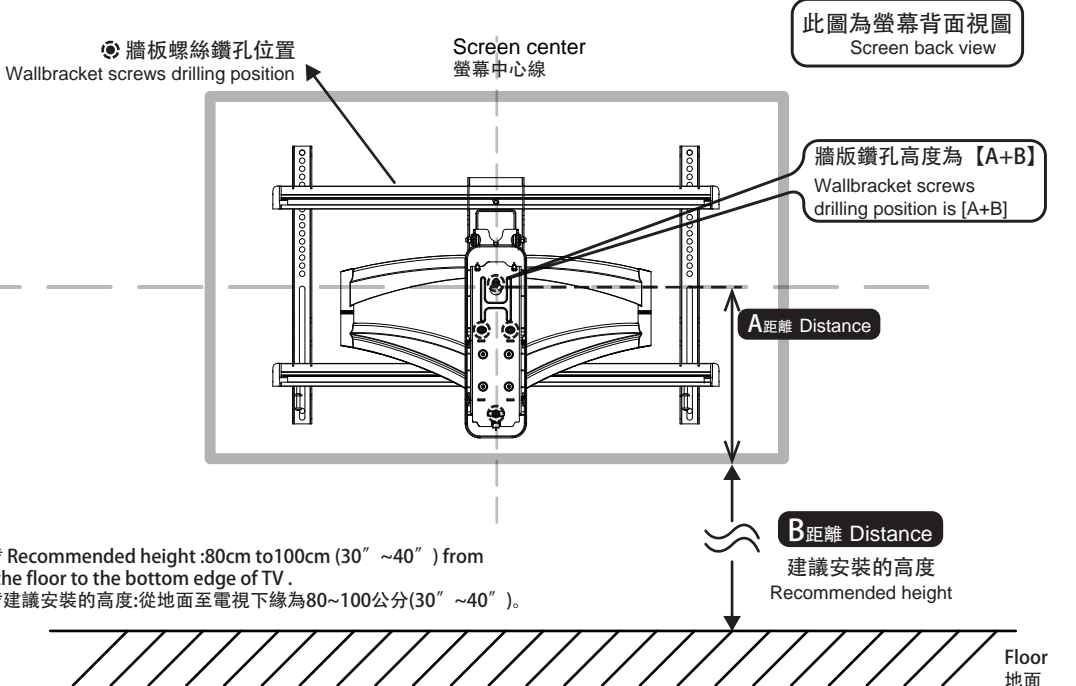


To Find Out The Screws Drilling Position With Wall Bracket 找出牆版件鑽孔的高度

- 1** Align the TV Mount body to proper position with extension bars and measure from center of the TV Mount wall plate to the edge of the screen to find out the distance. This "A" distance will tell you after TV is mounted where the edge of the TV will be on the wall. The TV mount wall plate is 3 inches off of the center of the mount.
將支架組件擺放至螢幕面板背面合上面板件相對應的位置，量測支架中心到螢幕邊緣A距離。



- 2** Make sure expected the installation distance B, to find out the screws drilling position.
確定預計安裝的距離(B距離)，找出鑽孔的高度

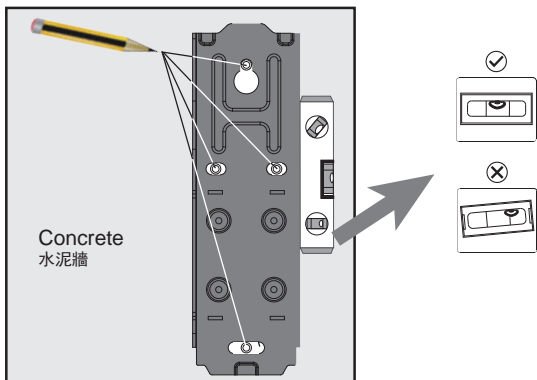


* Recommended height :80cm to100cm (30" ~40") from the floor to the bottom edge of TV .

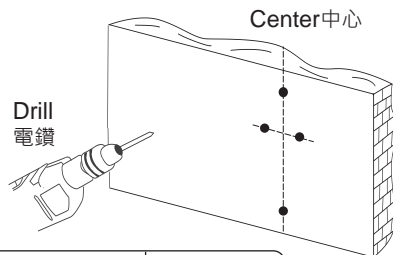
*建議安裝的高度:從地面至電視下緣為80~100公分(30" ~40")。

Wall Bracket Installation Steps for Concrete 水泥牆安裝步驟

- 1** Select desired height. Use Installation Template to mark drilling locations with pencil(x4). Use the level to ensure proper alignment. 用安裝模板標註牆板安裝孔位置，使用水平儀測量以確保水平。

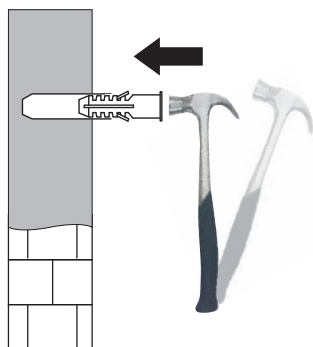


- 2** Drill pilot holes at marked locations(x4). 使用電鑽鑽孔(x4)。

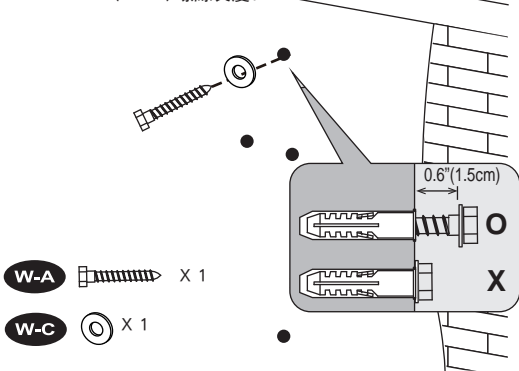


Pilot Hole Size 鑽孔尺寸	3/8"(10 mm)
Pilot Hole Depth 鑽孔深度	2 3/4"(70 mm)

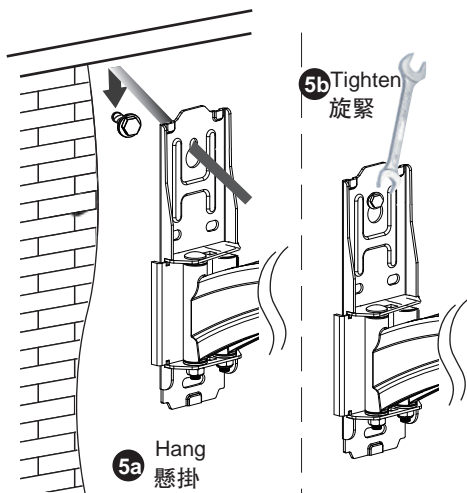
- 3** Gently hammer Wall Anchors into pilot holes (x4). 用鐵鎚將膨脹管插入孔洞中(x4)。



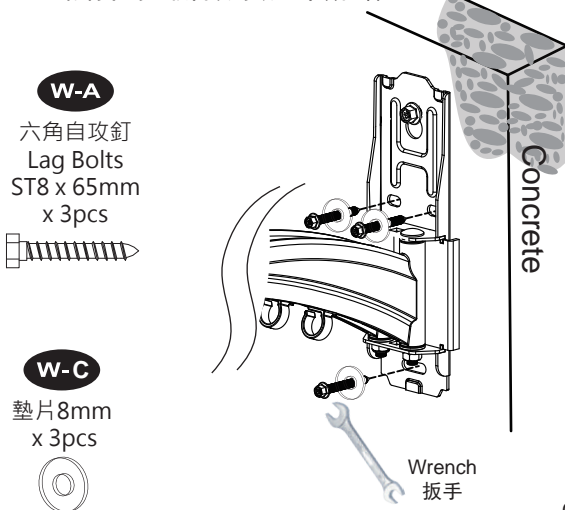
- 4** Secure one of W-A Lag Bolt and W-C Washer into the top pilot holes(x). Leave 0.6" (1.5 cm) visible. 將一個牆板螺絲套上墊片，鎖入最上面的牆孔，預留 0.6" (1.5cm) 螺絲長度。



- 5** Hang the wall bracket to the lag bolt, then tighten it. 將牆支架掛在自攻釘上，然後旋緊這個自攻釘

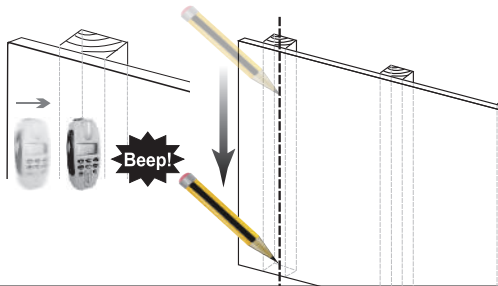


- 6** Secure the rest 3 lag bolts and washers to the wall. 將剩下的三顆自攻釘跟墊片鎖在牆上



Wall Bracket Installation Steps for Wood Studs 木立柱牆安裝步驟

- 1** Locate studs with stud finder. Mark stud edge and center location with pencil.
使用木條感應器測量出木立柱中心點並標註。



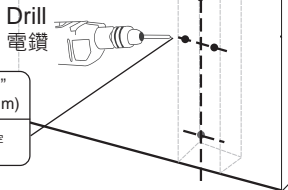
- 3** Drill pilot holes at marked in標註處鑽孔(x4).

Wood Stud木立柱

Pilot Hole Size 鑽孔尺寸	7/32" (5.5 mm)
Pilot Hole Depth 鑽孔深度	2 3/4" (70mm)

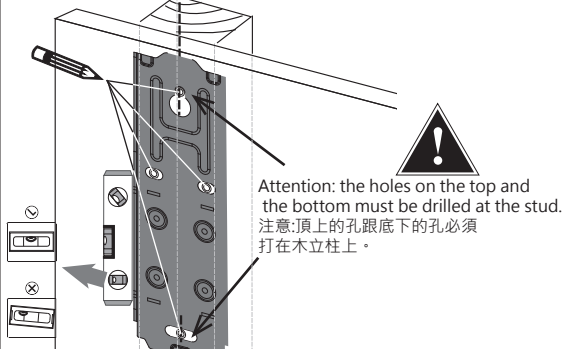
Drywall木板牆

Pilot Hole Size 鑽孔尺寸	7/32" (5.5 mm)
Pilot Hole Depth 鑽孔深度	打穿

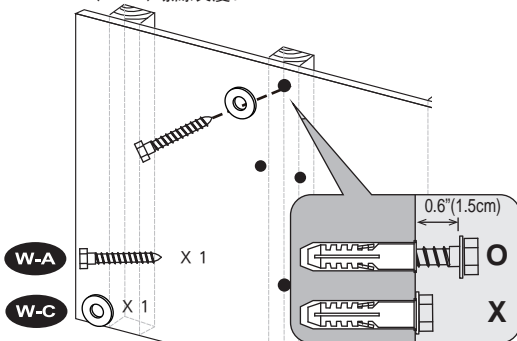


- !** Attention: the holes on the top and the bottom must be drilled at the stud.
注意:頂上的孔跟底下的孔必須打在木立柱上。

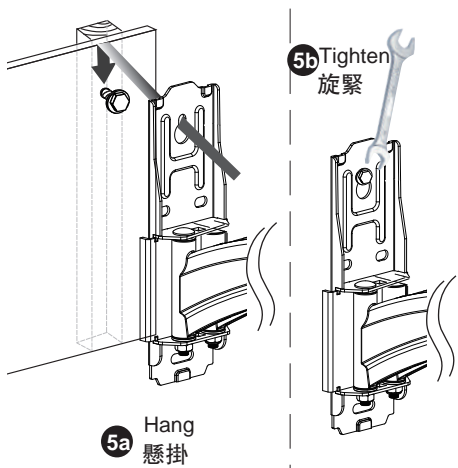
- 2** Use Wall installation template to mark drilling locations at the desired height. Use level to ensure proper alignment.
利用安裝模板調至適當高度後, 用鉛筆標注鑽孔位置。同時利用水平尺確認牆板的水平。



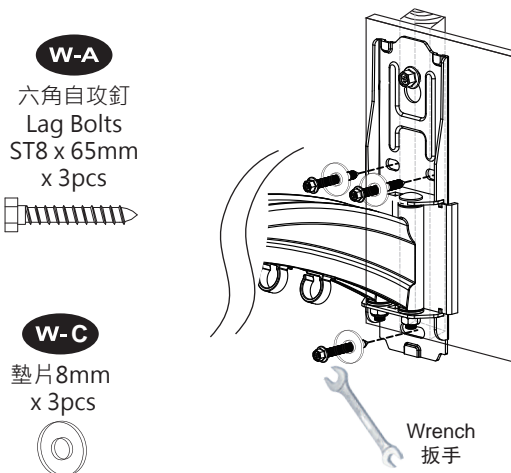
- 4** Secure one of W-A Lag Bolt and W-C Washer into the top pilot holes(x). Leave 0.6" (1.5 cm) visible.
將一個牆板螺絲套上墊片, 鎖入最上面的牆孔, 預留 0.6" (1.5cm) 螺絲長度。



- 5** Hang the wall bracket to the lag bolt, then tighten it.
將牆支架掛在自攻釘上, 然後旋緊這個自攻釘

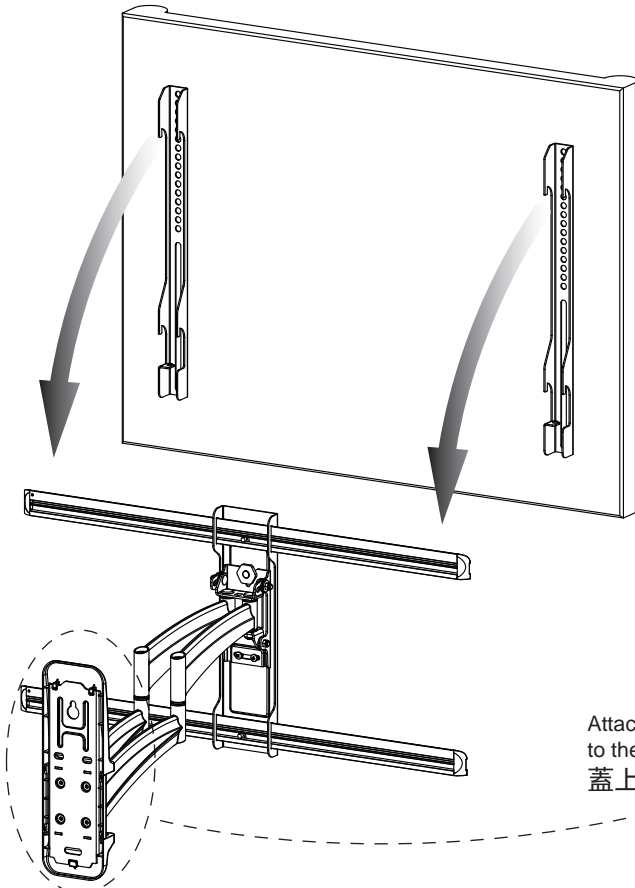


- 6** Secure the rest 3 lag bolts and washers to the wall.
將剩下的三顆自攻釘跟墊片鎖在牆上



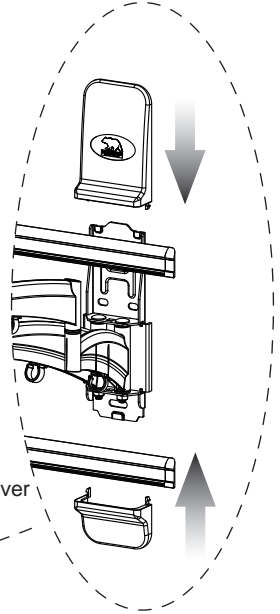
Installation Monitor & Wall Bracket 組裝面板件與牆版件

- ① Lift and hook flat screen with attached brackets to the wall brackets.
將螢幕件掛置於牆板件上。使用十字螺絲起子鎖固螺絲。



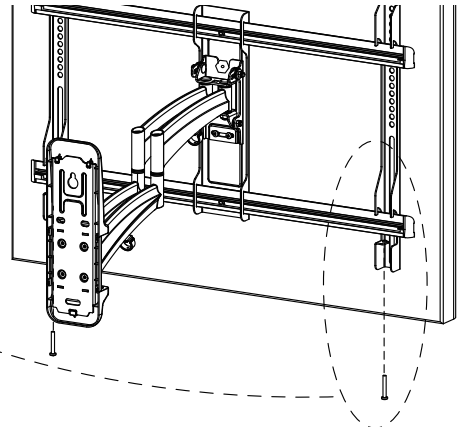
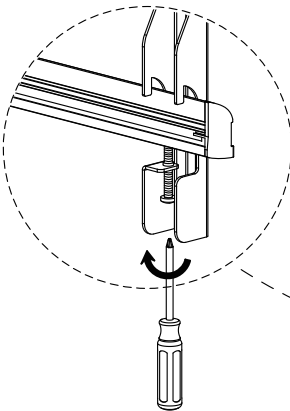
Assistance may be required to lift your flat screen into position.

您可能需要他人協助將螢幕件掛上定位。

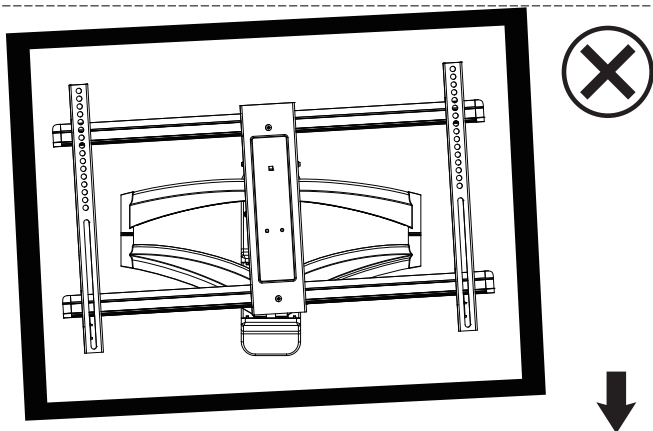


Attach the plastic cover to the wall plate
蓋上牆板蓋

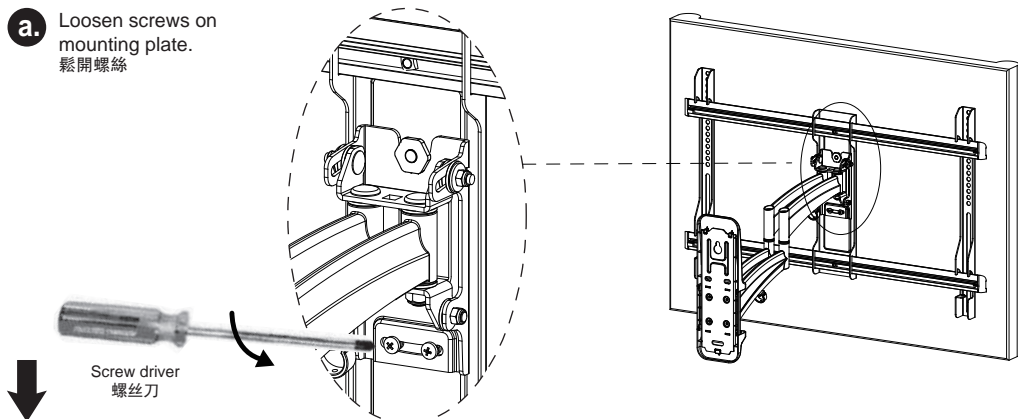
- ② Lift and hook flat screen with attached
使用十字螺絲起子鎖固螺絲。



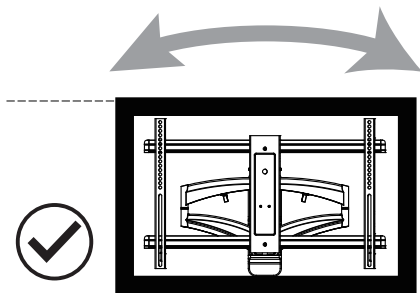
- 3** To adjust Tilt or Alignment of Flat Screen use open-end wrench and screw-driver.
若螢幕面板部份不平整，請使用開口扳手跟螺絲刀鬆開螺絲跟螺母，調整面板角度至水平後，再將螺絲跟螺母旋緊。



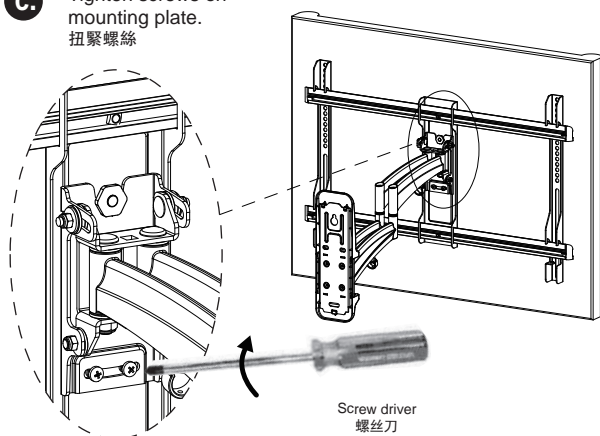
- a.** Loosen screws on mounting plate.
鬆開螺絲



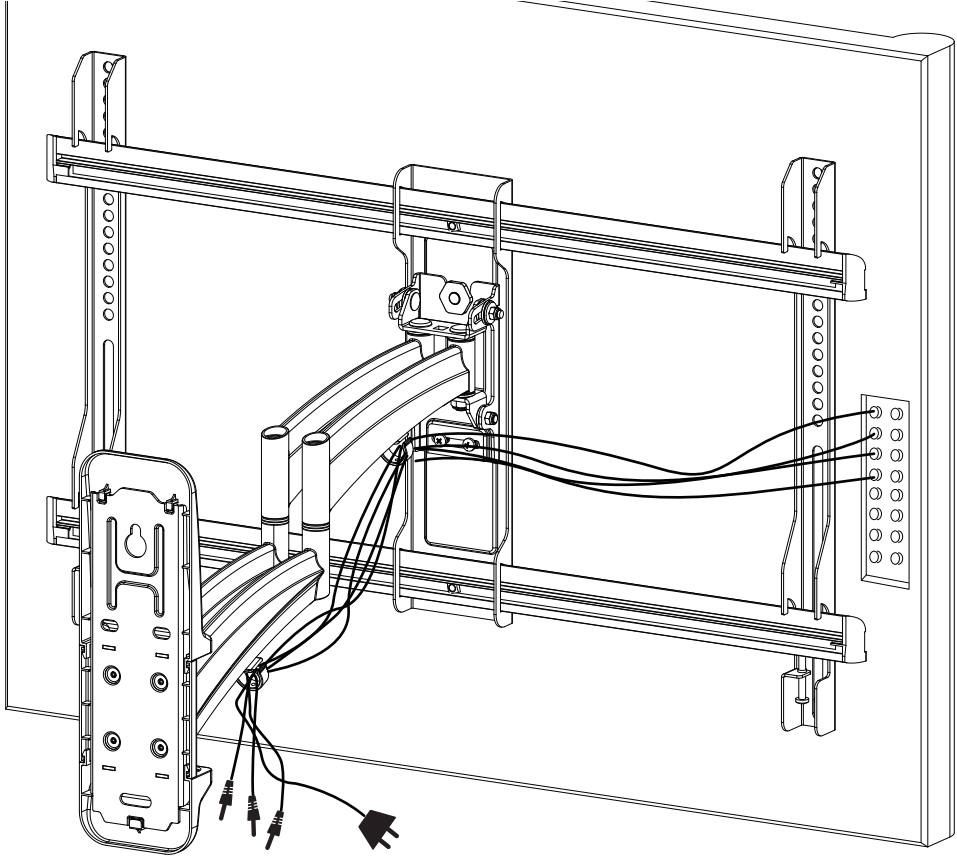
- b.** Adjust tilt or angle of Flat Screen.
調整面板角度至水平



- c.** Tighten screws on mounting plate.
扭緊螺絲



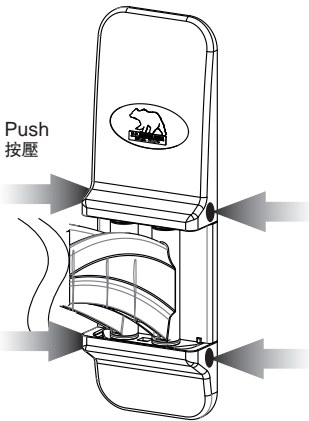
Clear up cables 整理線材



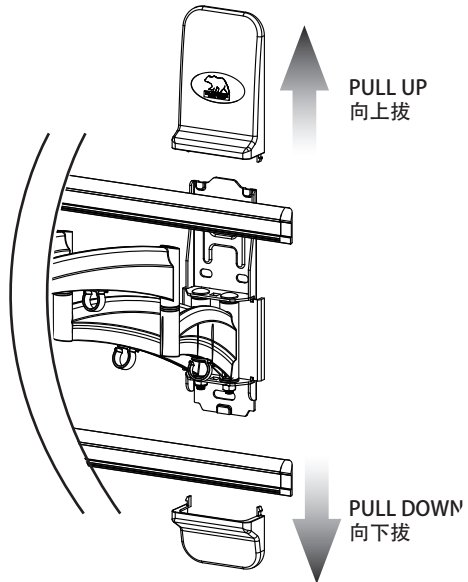
Remove the plastic covers if necessary

必要時拆卸牆板塑膠蓋

Push the edges of the covers and pull off it.
按壓牆板塑膠蓋的同時將其拔出來



Push
按壓



PULL UP
向上拔

PULL DOWN
向下拔

THANK YOU FOR PURCHASING U.S. BROWN BEAR PRODUCTS.

感謝您購買U.S. BROWN BEAR 的產品。



Come hang with us



www.usbrownbear.com
service@usbrownbear.com

North America & South America

United States Office
E-MAIL: us@usbrownbear.com
TEL: +1.510.891.1365
FAX: +1.877.338.4555
ADD: 2855 Mandela Pkwy #11, Oakland CA 94608

Asia Pacific

China Office
E-MAIL: asia@usbrownbear.com
TEL: +86.574.8826.5318
FAX: +86.574.8826.5730
ADD: Park Chehe, Shiqi Town, Yinzhou District,
Ningbo 315153 China

Europe & Other Regions

Taiwan Office
E-MAIL: salestw@usbrownbear.com
Tel: +886-7-392-6566
Fax: +886-7-392-5567
ADD: No.116, WanhSing Street, Sanmin
District, Kaohsiung 80794, Taiwan, R.O.C.