



INSHENG

Standardized Chemical Pump
Type VC

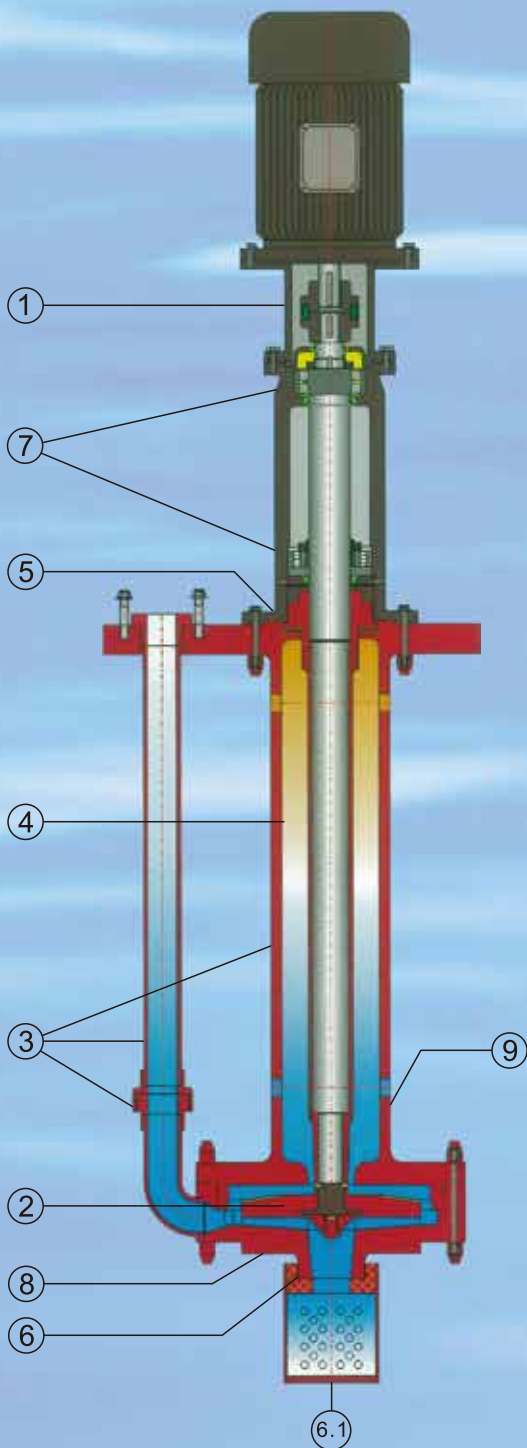
DIN EN 22858/ISO (2858)



<http://www.is-made.com>

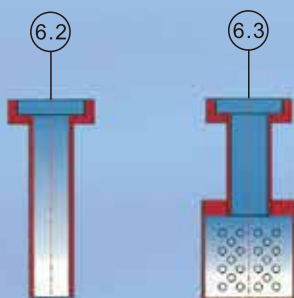
Vertical Chemical Pump Type VC

Sectional Drawing



▲ Design features:

1. Elastic coupling connecting motor shaft to pump shaft.
2. Semi-open impeller reduces the risk of blockage.
3. Pump casing, casing cover, suspension pipe and discharge piping made of chemical resistant plastic.
4. Shaft with solid plastic protection sleeve to suit the requirements of the chemical environment.
5. Labyrinth seal protects interior space against gases and vapours.
6. Pump available with extended suction piping or suction strainer on request.
 - 6.1 Suction strainer
 - 6.2 Suction pipe up to length of 2000mm
 - 6.3 Suction strainer and suction pipe.
7. The strong cantilever shaft is carried in well proportioned self aligning roller bearings above the liquid.
8. Impeller is positively locked to the shaft for reverse rotation protection.
9. At the end of impeller take no-bearings design, therefore dry running and handle aggressive liquids containing solids respectively crystallizing solutions is available.



Material

Parts of the pump in contact with fluid are manufactured from the following standard plastics:

Polypropylene PP

Temperature range from
 0°C to $+95^{\circ}\text{C}$

High Molecular Polyethylene PE-1000

Temperature range from
 -50°C to $+80^{\circ}\text{C}$

Polyvinylidene Fluoride PVDF

Temperature range from
 -20°C to $+130^{\circ}\text{C}$

▲ Performance data for 50 Hz operation

Pump capacity [Q] up to $50\text{m}^3/\text{h}$

Total differential head [H] up to 50m

▲ Performance data for 60 Hz operation

Pump capacity [Q] up to $50\text{m}^3/\text{h}$

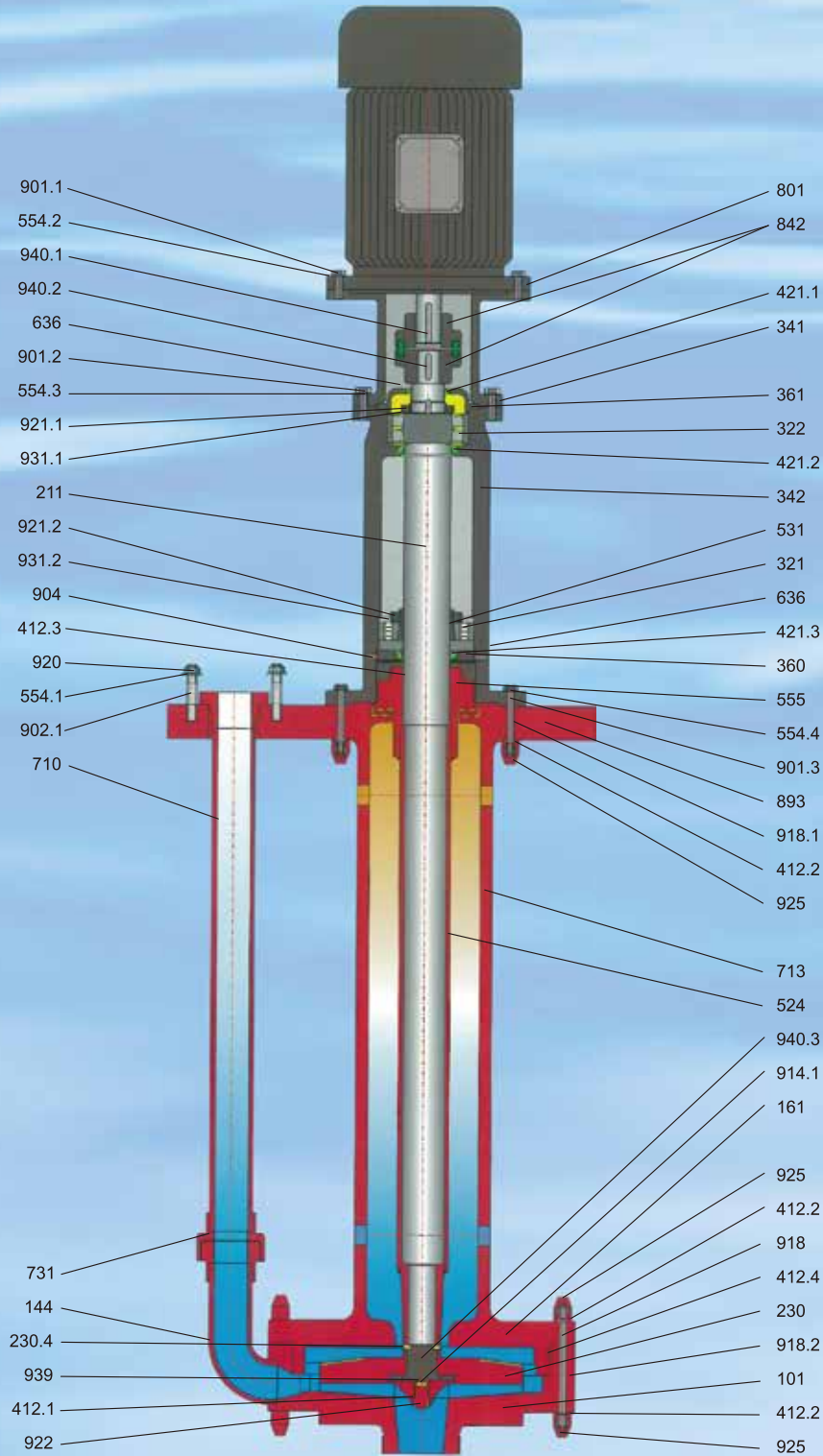
Total differential head [H] up to 50m

▲ Service

1. Performance data for standard pumps.

2. Pump dimension for standard pumps, extended pump dimension on request.

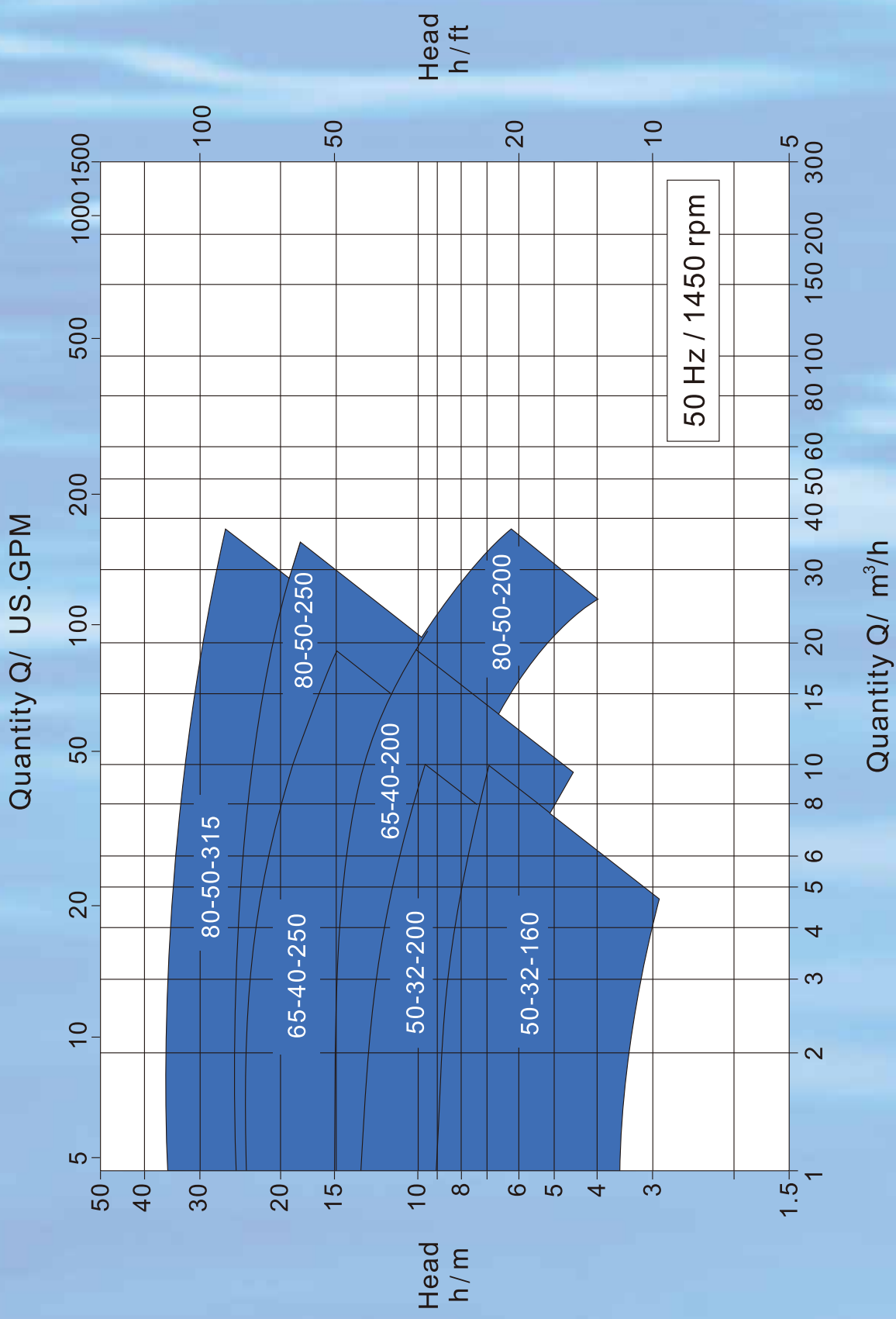
Sectional Drawing and Parts List Design VC



PART-NO.	Designation
101	Volute casing
144	Delivery elbow
161	casing cover
211	Shaft
230	Impeller
230.4	Gasket
321	Anxi ball bearing
322	Radial roller bearing
341	Motor stool
342	Thrust bearing lantern
360	Bearing cover
361	Bearing end cover
412.XXX	O-Ring
421.XXX	Radial shaft seal ring
524	Shaft sleeve
531	Adapter sleeve
554.XXX	Washer
555	Labyrinth disc
636	Grease nipple
710	Tube
713	Suspension pipe
731	Pipe union
801	Flange motor
842	Claw coupling
893	Sole plate
901.XXX	Hexagon head bolt
902	Stud
904	Fixed bolt
914.1	Socket head cap screw
918	Threaded rod
918.XXX	Threaded rod sleeve
920	Nut
921.XXX	Shaft nut
922	Impeller screw
925	Cap nut
931.XXX	Lock washer
939	Spring washer
940.XXX	Fitting key

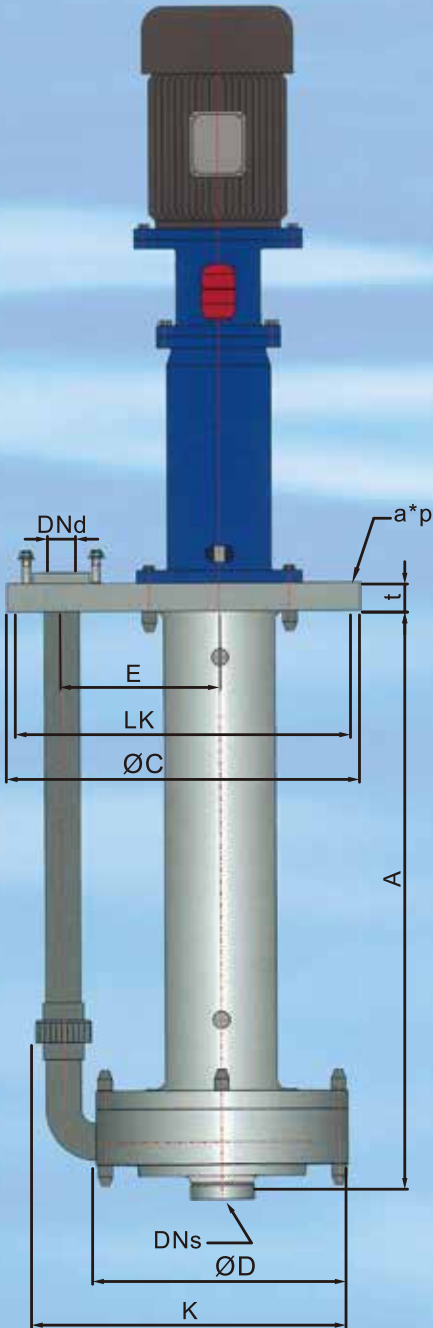
Part-No. and designation in accordance with DIN 24250

Performance range charts



Vertical Chemical Pump Type VC

Dimensions-Standard design



Type	PUMP Size	DNs	DNd	a	ØC	D	E	K	LK	p	t
VC	50/32/160	50	32	4	480	295	180	365	440	13	45
	50/32/200	50	32	6	540	370	225	445	508	13	50
	65/40/200	65	40	6	540	370	225	450	508	13	50
	65/40/250	65	40	8	590	425	245	485	558	13	60
	80/50/200	80	50	6	540	370	225	455	508	13	50
	80/50/250	80	50	8	590	425	245	490	558	13	60
	80/50/315	80	50	10	630	450	285	558	598	13	60

Range of VC setting depths [A]	
motor-speed(1/min)	setting depths [A]
1450	500-1500
1750	500-1500

Dimensions in mm

For motor dimensions , please refer to motor catalogue

Further size and special submersion depths on request

Insheng Engineering CO.,LTD
 Taiwan
 Phone: +886-8-752-3006
 Fax: +886-8-752-3025
 E-mail : insheng@ms68.hinet.net