



INSHENG

Standardized Chemical Pump Type HC

DIN EN 22858/ ISO 2858



[http:// www.is-made.com](http://www.is-made.com)

Standardized Chemical Pump in plastic

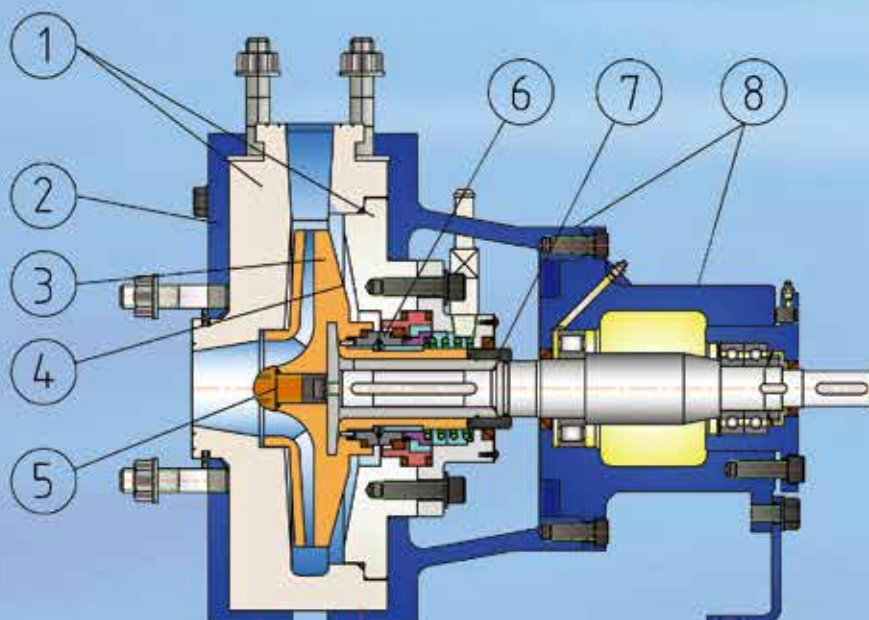
HC pump are manufactured to **DIN E22858 (ISO 2858)**

standards in respect of design, performance and dimensions.

HC pumps also provide the higher flows and heads of performance on request.

▲ Design features:

1. Sturdy, one-piece, thermoplastic casing and casing cover provide penetration-proof containment, elimination secondary sealing problems.
一体成型的热塑性塑料涡流座与背板，确保介质不会渗漏。
2. Rugged metal cast covering the entire pump casing is to absorb all external forces and torques. Housing outflow on request.
坚固耐用的金属加强板，可以吸收外应力和扭力，完整保护涡流座。应客户需求设置泄流孔。
3. Impeller : closed, open, semi-open and ideal impeller of flow dynamics through 3-D curved vanes designs available.
叶轮：封闭型、开放型、半开放型和理想流动力的3D曲线叶片设计。
4. Axial-trust-compensation by using back vanes or relief holes on impeller.
利用平衡叶片或平衡孔消除轴向推力。
5. Impeller is positively locked to the shaft for reverse rotation protection.
叶轮与轴心同轴固定；可耐反转保护。
6. Sealing chamber for single and double standardized mechanical seals of all types.
适用所有标准型式单、双机械轴封的轴封室。
7. Oxide ceramic layer eliminates shaft fretting of Viton lip seals.
氧化陶瓷环消除油封唇缘对轴的磨损。
8. Several coatings with an acid-proof paint protect all metal parts.
数层耐酸漆，保护所有金属零件。



Materials

Parts of the pump in contact with fluid are manufactured from the following standard plastics:

Polypropylene ,PP (聚丙烯)

Temperature range from 0°C to +95°C

High Density Polyethylene ,HDPE (高密度聚乙烯)

Temperature range from -50°C to +80°C

Poly(Vinylidene Fluoride), PVDF (聚偏氟乙烯)

Temperature range from -20°C to +130°C

▲ Performance data for 50 Hz operation

Pump capacity [Q] up to 600m³/h

Total differential head [H] up to 90m

Motor power rating [P] up to 132kw

▲ Performance data for 60 Hz operation

Pump capacity [Q] up to 600m³/h

Total differential head [H] up to 90m

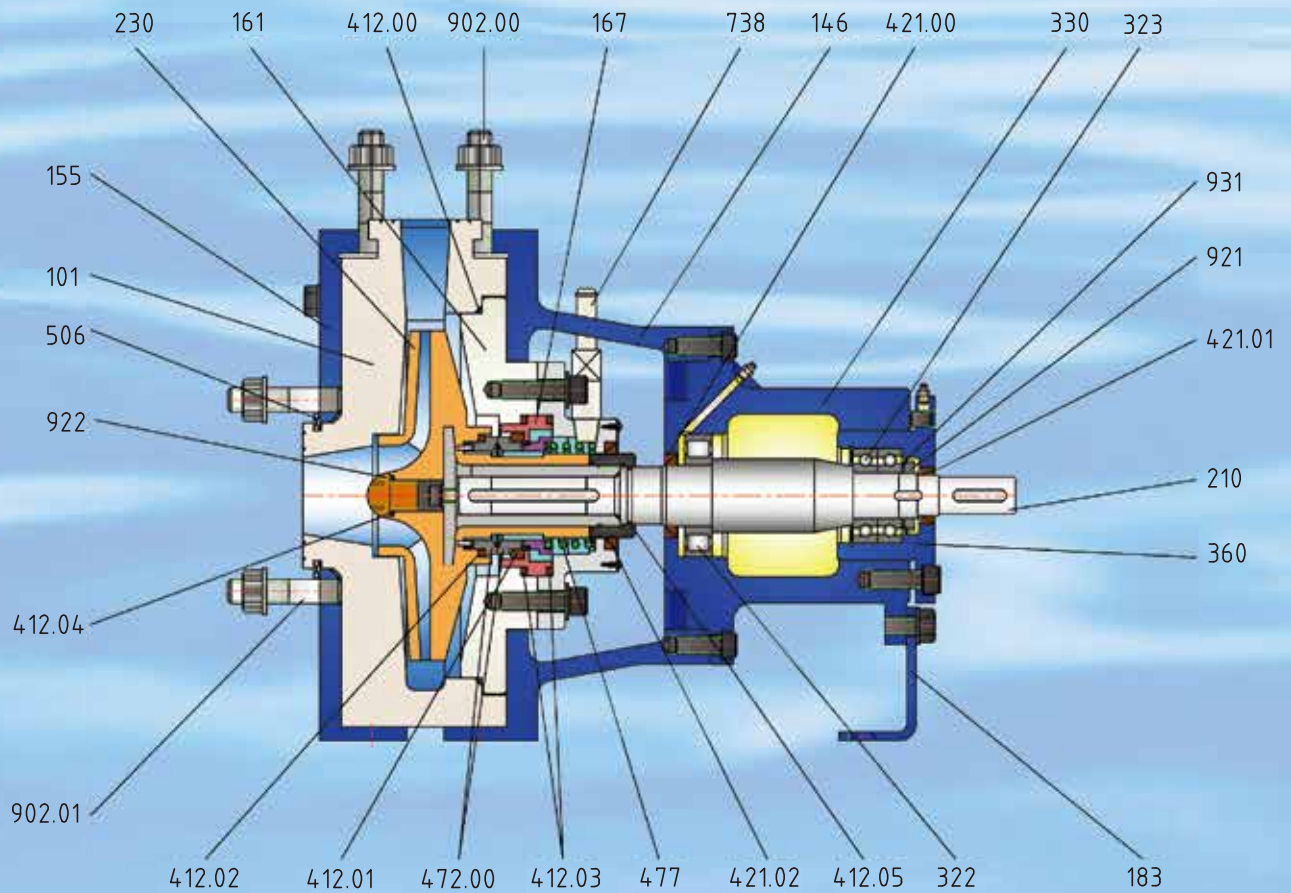
Motor power rating [P] up to 132kw

▲ Service

1. Performance data for standard pumps.

2. Pump dimension for standard pumps, extended pump dimension on request.

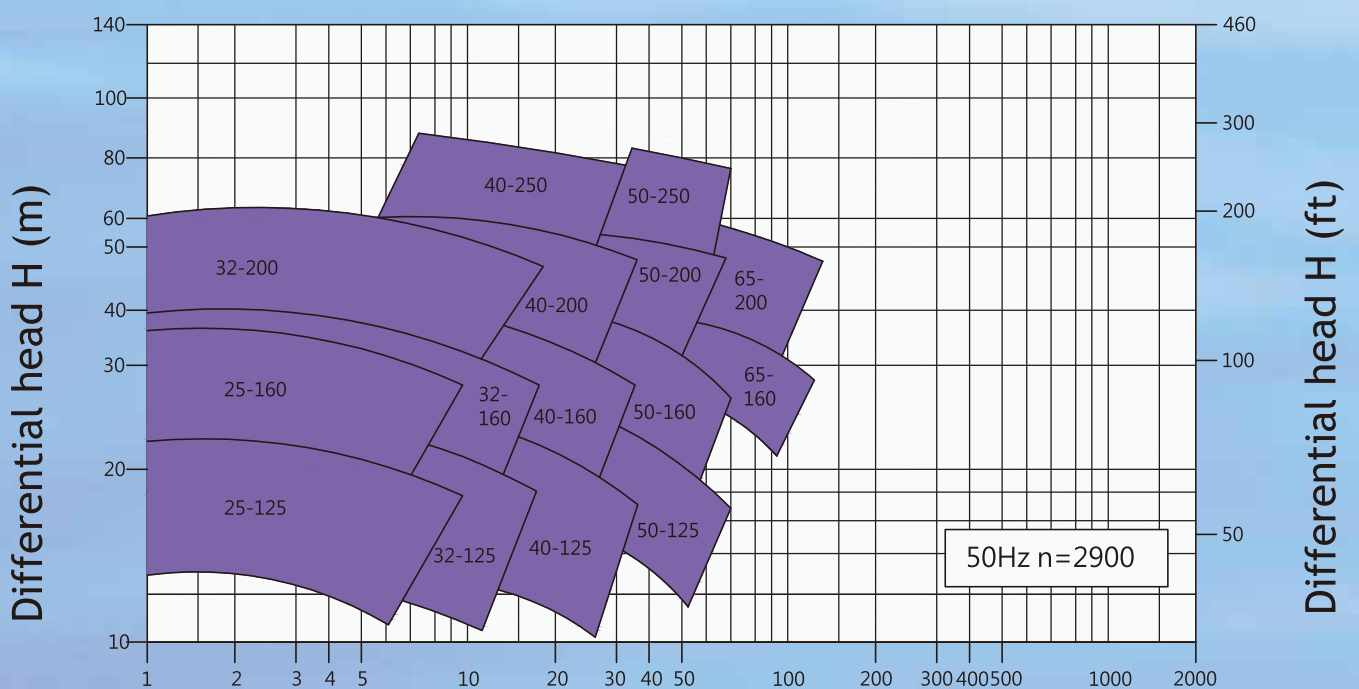
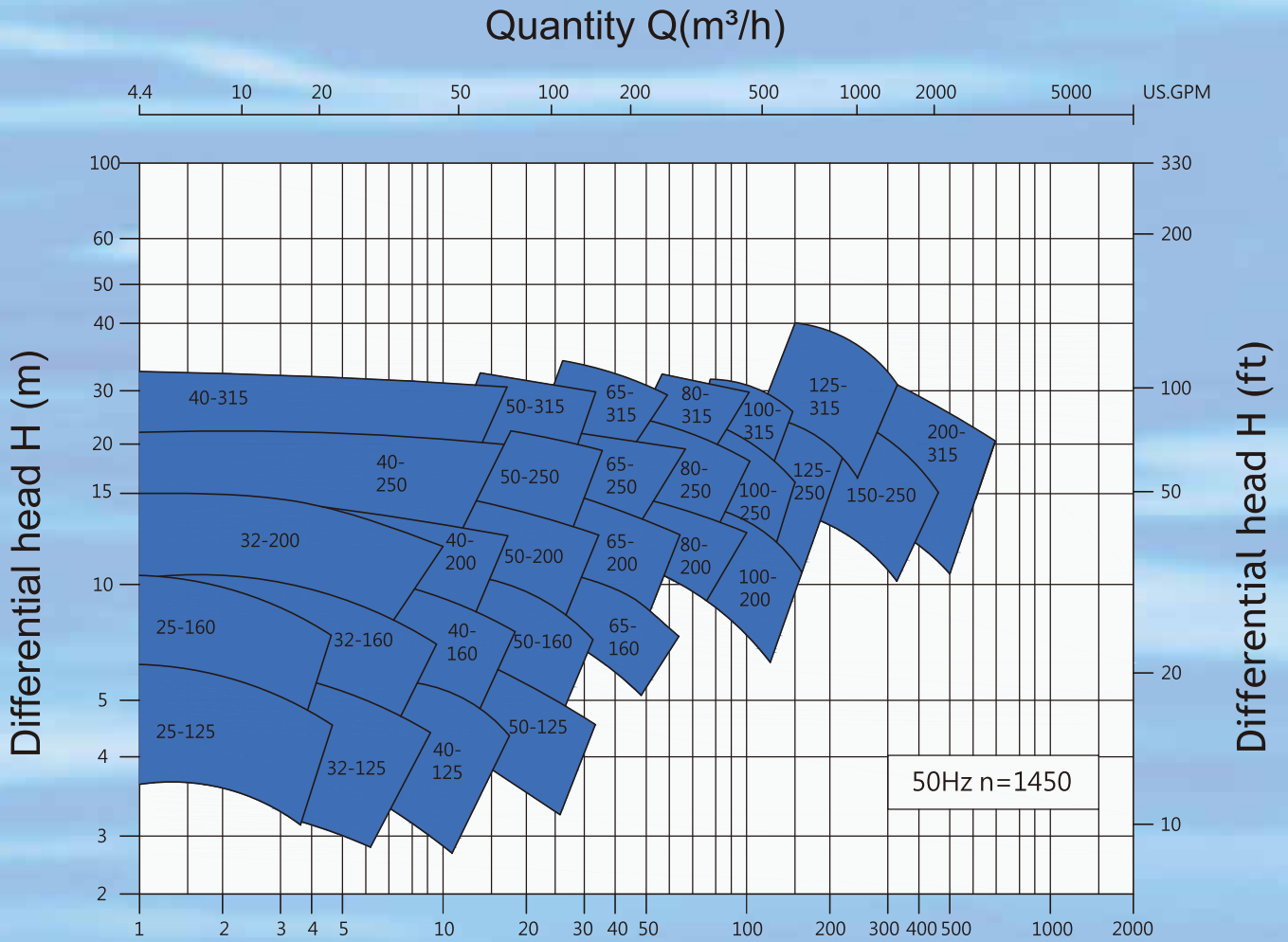
Sectional Drawing and Parts List Design HC



101	渦流座 Volute casing	323	深溝滾珠軸承 Deep groove ball bearing	738	循環水接頭 Fitting
146	後加強板 Intermediate Lantern	330	軸承基座 Bearing bracket	921.00	太陽螺帽 Shaft nut
155	前加強板 Frame casing	360	軸承蓋 Bearing cover	922	葉輪螺帽 Impeller screw
161	背板 Casing cover	412.XX	O型環 O-ring	931.00	太陽華司 Lock washer
167	靜環座 Cover Insert	421.XX	油封 Radial shaft seal ring	932	C型扣環 Circlip
183	腳座 Support	472	機械軸封 Seal Ring		
210	軸心 Shaft	477	耐酸彈簧 Spring		
230	葉輪 Impeller	485	動環座 Retaining Ring		
322	圓柱滾子軸承 Cylindrical roller bearing	506	渦流座扣環 Retaining ring		

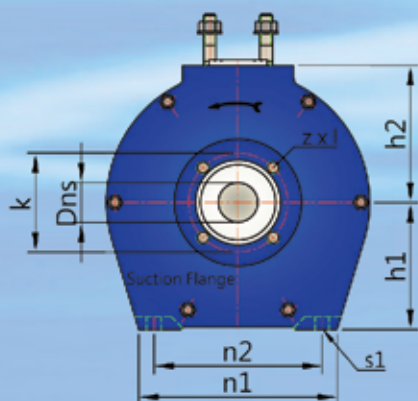
Part-No. and designation in accordance with DIN 24250

Performance range charts



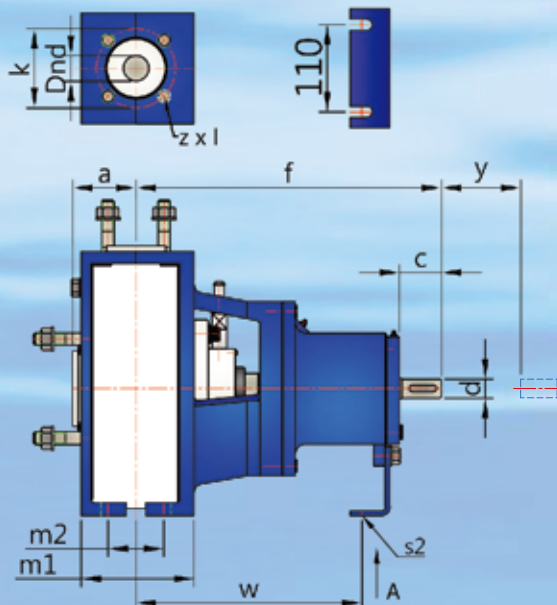
Standardized Chemical Pump

Pump Dimensions



Discharge Flange

VIEW A



Type	Size	Pump Dimensions					Foot Dimensions					Shaft End		Suction Flange				Discharge Flange					
		a	f	h1	h2	w	n1	n2	m1	m2	s1	s2	y	d	c	DNs	k	l	z	DNd	k	l	z
HC	40/25/125	80	385	112	140	285	240	190	135	70	M12	M12	100	24	50	40	110	M16	4	25	85	M12	4
	40/25/160	80	385	132	160	285	240	190	135	70	M12	M12	100	24	50	40	110	M16	4	25	85	M12	4
	50/32/125	80	385	112	140	285	240	190	135	70	M12	M12	100	24	50	50	125	M16	4	32	100	M16	4
	50/32/160	80	385	132	160	285	240	190	125	70	M12	M12	100	24	50	50	125	M16	4	32	100	M16	4
	50/32/200	80	385	160	180	285	250	190	145	70	M12	M12	100	24	50	50	125	M16	4	32	100	M16	4
	65/40/125	80	385	112	140	285	240	190	135	70	M12	M12	100	24	50	65	145	M16	4	40	110	M16	4
	65/40/160	80	385	132	160	285	240	190	135	70	M12	M12	100	24	50	65	145	M16	4	40	110	M16	4
	65/50/160	80	385	132	160	285	240	190	135	70	M12	M12	100	24	50	65	145	M16	4	50	125	M16	4
	65/40/200	100	385	160	180	285	250	212	145	70	M12	M12	100	24	50	65	145	M16	4	40	110	M16	4
	65/40/250	100	500	180	225	370	335	250	160	95	M12	M12	100	32	80	65	145	M16	4	40	110	M16	4
	65/40/315	125	500	200	250	370	380	280	155	95	M12	M12	100	32	80	65	145	M16	4	40	110	M16	4
	65/50/125	80	385	112	140	285	240	190	135	70	M12	M12	100	24	50	65	145	M16	4	50	125	M16	4
	80/50/125	100	385	132	160	285	240	190	135	70	M12	M12	100	24	50	80	160	M16	8	50	125	M16	4
	80/65/125	100	385	132	160	285	240	190	135	70	M12	M12	100	24	50	80	160	M16	8	65	145	M16	4
	80/50/160	100	385	160	180	285	250	212	145	70	M12	M12	100	24	50	80	160	M16	8	50	125	M16	4
	80/65/160	100	385	160	180	285	250	212	145	70	M12	M12	100	24	50	80	160	M16	8	65	145	M16	4
	80/50/200	100	385	160	200	285	265	212	160	95	M12	M12	100	24	50	80	160	M16	8	50	125	M16	4
	80/50/250	125	500	180	225	370	265	250	160	95	M12	M12	100	32	80	80	160	M16	8	50	125	M16	4
	80/65/250	125	500	180	225	370	335	250	160	95	M12	M12	100	32	80	80	160	M16	8	65	145	M16	4
	80/50/315	125	500	225	280	370	370	280	185	95	M12	M12	100	32	80	80	160	M16	8	50	125	M16	4
	100/65/160	100	500	160	200	270	265	212	160	95	M12	M12	100	32	80	100	180	M16	8	65	145	M16	4
	100/80/160	100	500	160	200	370	265	212	160	95	M12	M12	100	32	80	100	180	M16	8	80	160	M16	8
	100/65/200	100	500	180	225	370	335	250	160	95	M12	M12	140	32	80	100	180	M16	8	65	145	M16	4
	100/65/250	125	500	200	250	370	340	280	180	120	M12	M12	140	32	80	100	180	M16	8	65	145	M16	4
	100/65/315	125	530	225	280	370	370	315	185	120	M16	M12	140	42	110	100	180	M16	8	65	145	M16	4
	125/80/160	125	500	180	225	370	335	250	160	95	M12	M12	140	32	80	125	210	M16	8	80	160	M16	8
	125/80/200	125	500	180	250	370	335	250	170	95	M12	M12	140	32	80	125	210	M16	8	80	160	M16	8
	125/80/250	125	500	225	280	370	385	315	205	120	M20	M12	140	32	80	125	210	M16	8	80	160	M16	8
	125/80/315	125	530	250	315	370	400	315	210	120	M16	M12	140	42	110	125	210	M16	8	80	160	M16	8
	125/100/250	140	530	225	280	370	375	315	210	120	M20	M12	140	42	110	125	210	M16	8	100	180	M16	8
125/100/315	140	530	250	315	370	400	315	210	120	M16	M12	140	42	110	125	210	M16	8	100	180	M16	8	
150/125/250	140	530	250	355	370	400	315	225	120	M16	M12	140	42	110	150	240	M20	8	125	210	M16	8	
150/125/315	140	530	280	355	370	485	400	225	150	M20	M12	140	42	110	150	240	M20	8	125	210	M16	8	
200/150/250	160	530	280	375	370	500	400	235	150	M20	M12	180	42	110	200	295	M20	12	150	240	M20	8	
250/200/315	180	670	315	450	500	560	450	280	150	M24	M12	180	48	110	200	355	M24	12	200	295	M20	12	

Dimensions in mm
 Flange connection dimensions to DIN 2501, PN 16
 Keyway and key to DIN 6885
 Shaft to DIN 748

Insheng Engineering CO.,LTD
 Taiwan
 TEL: +886-8-7523006
 FAX: +886-8-7523025
 E-mail: insheng@ms68.hinet.net
 Website: www.is-made.com