

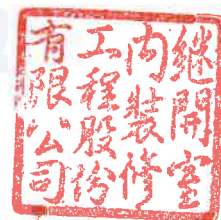
# 鈺泰研究創新股份有限公司

## 空調確效測試報告書

測試單位：繼開室內裝修工程股份有限公司

測試日期：2022/11/17

測試地址：彰化縣秀水鄉安樂街 29 號



# 目錄

壹、風量測試及換氣回數

貳、壓力測試

參、溫濕度測試

肆、潔淨度測試

伍、落菌測試

陸、儀器校正報告

## 壹、風 測試及換氣回

- 一、測試儀器：風速計
- 二、儀器廠牌：TSI
- 三、儀器型號：9545-A
- 四、測試人員：黃天語
- 五、陪測人員：沈照彬
- 六、測試日期：2022/11/17
- 七、測試說明：

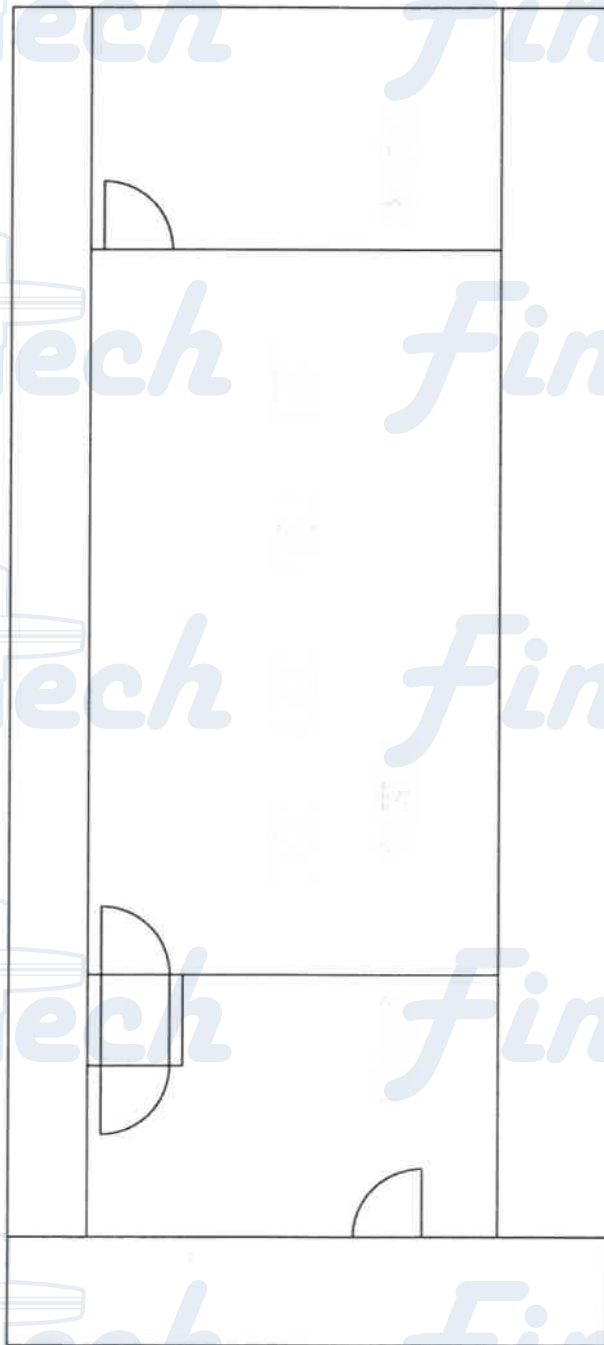
1. 執行測試前，空調已平衡運轉。
2. 將出風平面平均分成 3 點，探棒離平面 15cm 記錄其值，並根據出風面積換算成風量。
3. 利用公式算出房間換氣回數：

$$\text{ACH} = \frac{\text{總風量}(m^3/h)}{\text{總體積}(m^3)}$$

*finetech*

*finetech*

八、風量測試點：



### 九、風量及換氣測試數據：

名稱	編號	瞬時風速 (m/s)	平均風速 (m/s)	出風面積 (m <sup>2</sup> )	風量 (CMS)	總風量 (CMS)	空間容積 (m <sup>3</sup> )	換氣回數 (次/h)
HEPA1	1	0.25	0.36	0.67	0.24	0.88	177.32	17
	2	0.40						
	3	0.43						
	4	0.42						
HEPA2	5	0.25	0.36	0.67	0.24	0.88	177.32	17
	6	0.40						
	7	0.32						
HEPA3	8	0.28	0.31	0.67	0.21	0.88	177.32	17
	9	0.34						
	10	0.30						
HEPA4	11	0.19	0.29	0.67	0.19	0.88	177.32	17
	12	0.37						

## 貳、壓力測試

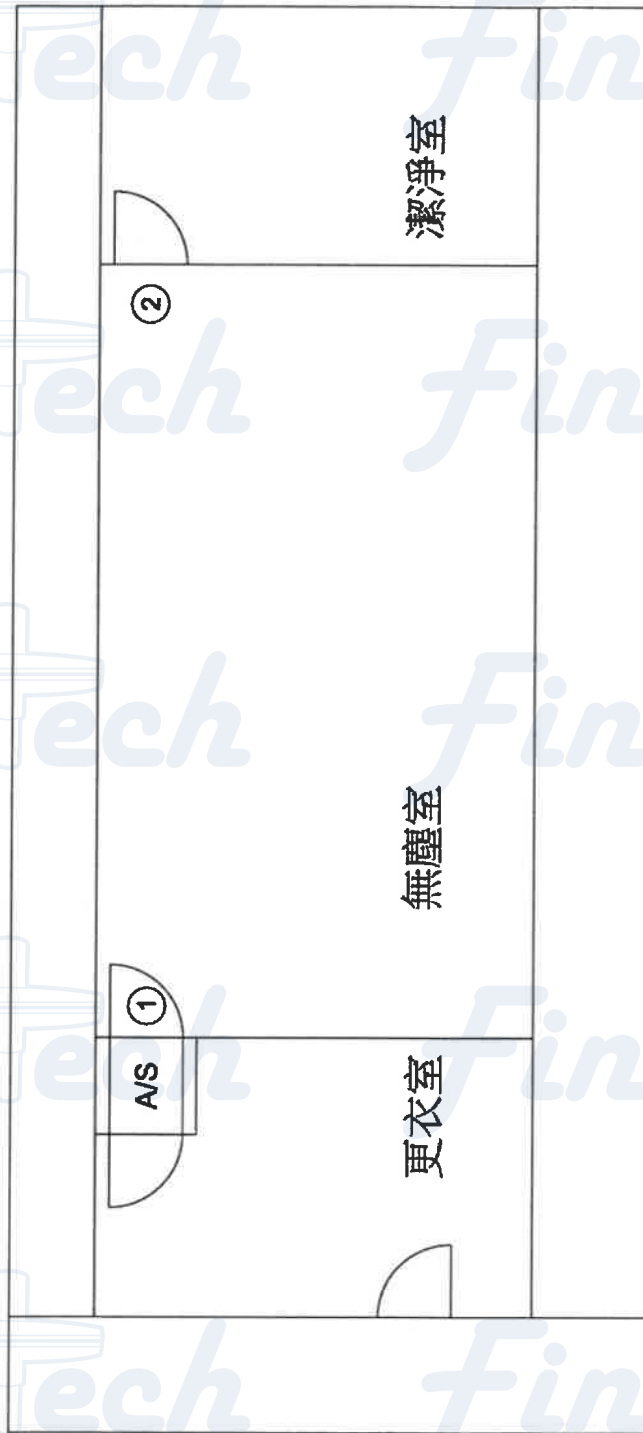
- 一、測試儀器：壓差計
- 二、儀器廠牌：TSI
- 三、儀器型號：8386A-M-GB
- 四、測試人員：黃天語
- 五、陪測人員：沈照彬
- 六、測試日期：2022/11/17
- 七、測試說明：

1. 執行測試前，空調已達平衡運轉。
2. 以壓差計量測房間內外壓差並記錄其顯示值。
3. 不同潔淨度之空間應至少有 10Pa 以上相對壓差。

finetech

finetech

八、壓力測試點：



九、壓力測試數據：

編號	相對位置	器示值
1	無塵室對外氣	13 Pa
2	無塵室對潔淨室	18 Pa



## 參、溫濕度測試

一、測試儀器：熱線式風速計

二、儀器廠牌：TSI

三、儀器型號：9545-A

四、測試人員：黃天語

五、陪測人員：沈照彬

六、測試日期：2022/11/17

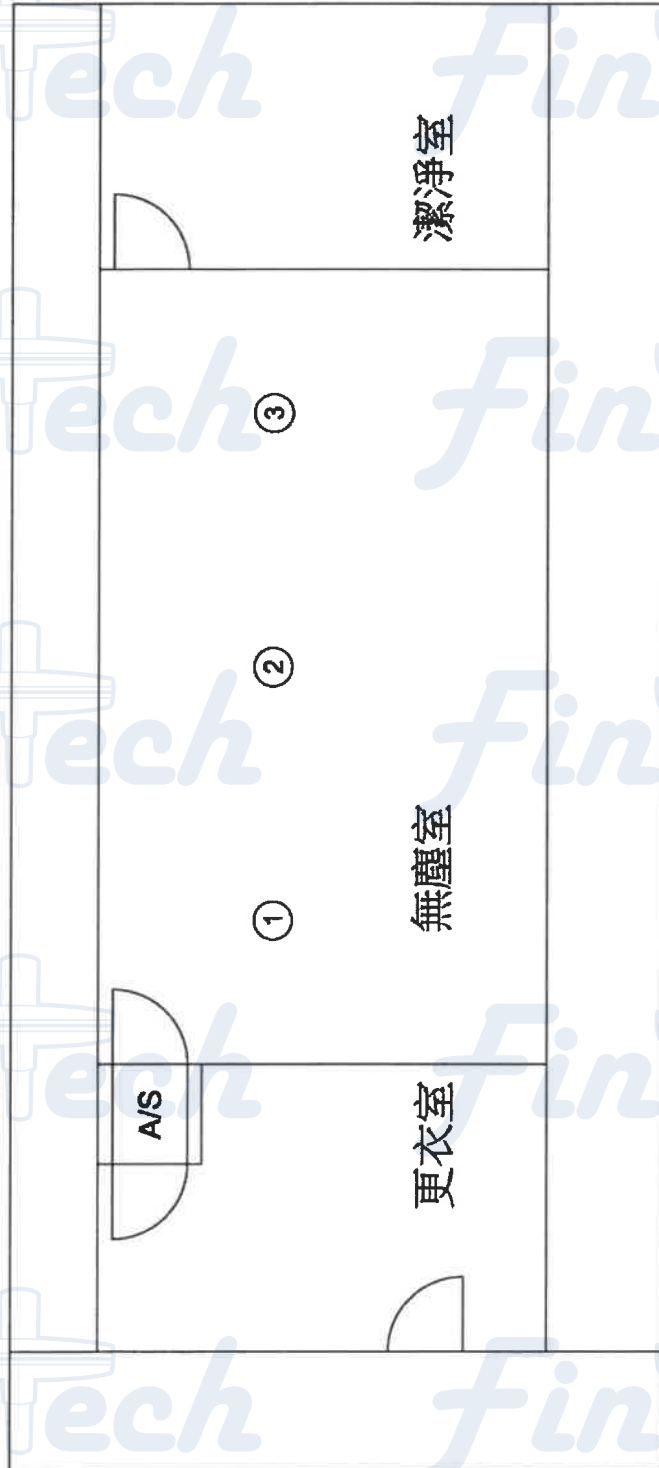
七、測試說明：

1. 執行測試前，空調已達平衡運轉。
2. 將溫濕度計置於工作高度(約離地面 1m)測試點進行測試，待儀器平衡後記錄其值。

finetech

finetech

八、溫濕度測試點：



finetech

finetech

九、溫濕度測試數據：

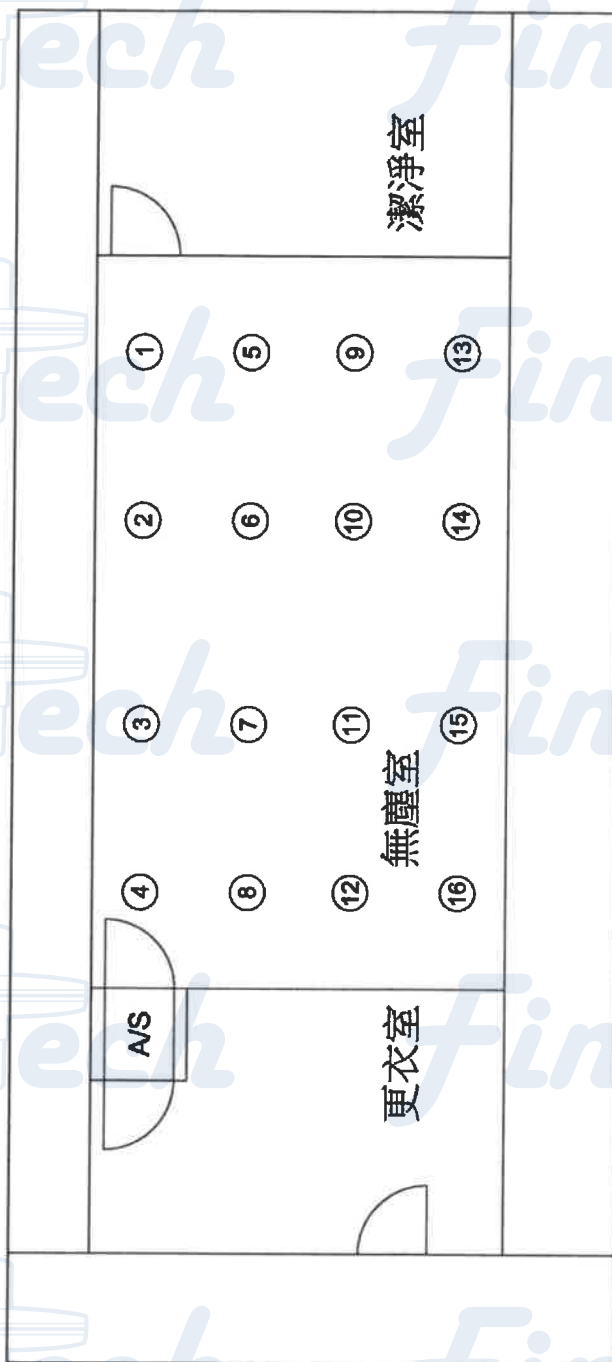
編號	溫度 (°C)	濕度 (%rh)
1	24.7	54.9
2	24.7	54.0
3	25.5	57.0

## 肆、潔淨度測試

- 一、測試儀器：微塵粒子計數器
- 二、儀器廠牌：PMS
- 三、儀器型號：HANDILAZ-MINI
- 四、潔淨等級：ISO Class 8 (Class 100,000)
- 五、測試人員：江隆恩
- 六、陪測人員：沈照彬
- 七、測試日期：2022/11/17
- 八、測試說明：

1. 執行測試前，空調已平衡運轉。
2. 以微粒計數器測量及記錄各點位之濃度。
3. ISO 8 (Class 100,000)微粒濃度  $0.5\mu\text{m}$  應低於 3,520,000 顆/ $\text{m}^3$ ，微粒濃度  $5.0\mu\text{m}$  應低於 29,300 顆/ $\text{m}^3$ 。

九、潔淨度測試點：



十、潔淨度測試數據：

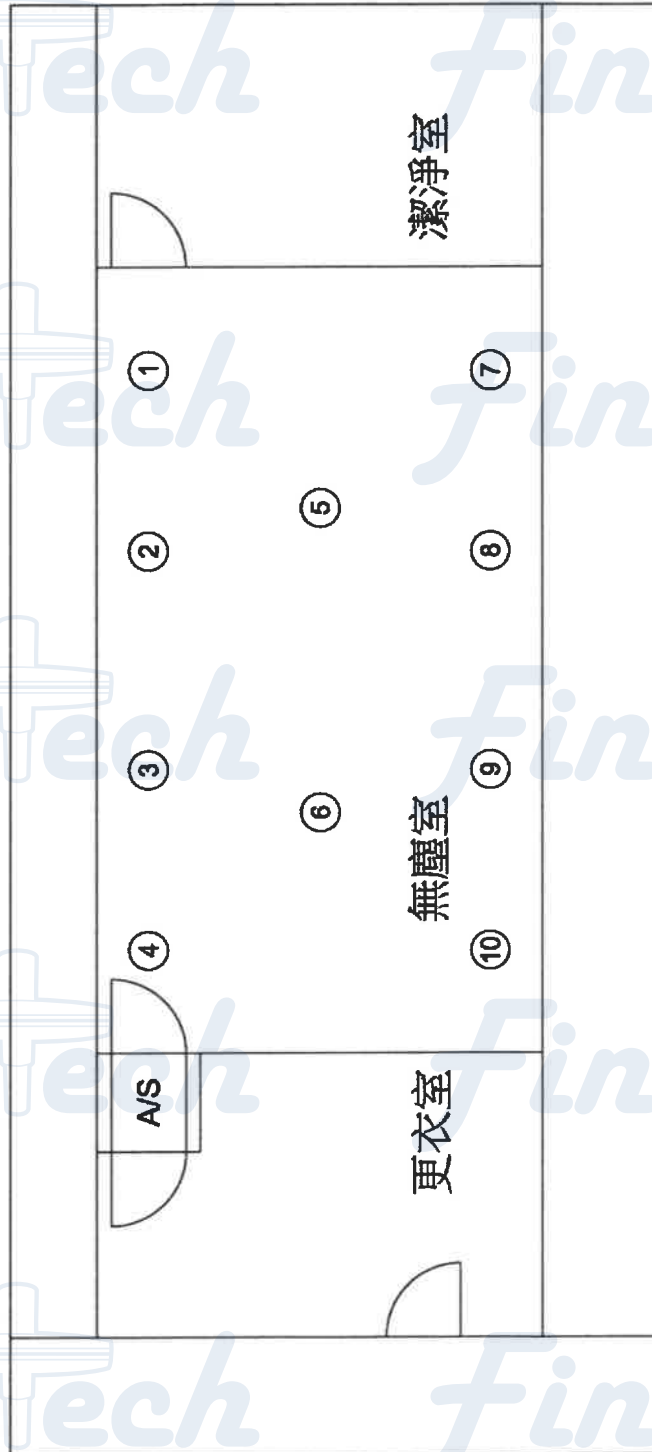
Date & Time	Location	Status	Sampling Time(Sec)	Times	0.5um	5.0um	Unit
2022/11/17 15:37	1	OK	60	1	7.59E+04	1.17E+04	/m3
2022/11/17 15:39	2	OK	60	1	5.97E+04	1.09E+04	/m3
2022/11/17 15:40	3	OK	60	1	5.44E+04	8.12E+03	/m3
2022/11/17 15:42	4	OK	60	1	6.22E+04	6.71E+03	/m3
2022/11/17 15:45	5	OK	60	1	4.98E+04	4.24E+03	/m3
2022/11/17 15:46	6	OK	60	1	6.67E+04	6.71E+03	/m3
2022/11/17 15:48	7	OK	60	1	4.73E+04	4.94E+03	/m3
2022/11/17 15:50	8	OK	60	1	6.46E+04	4.24E+03	/m3
2022/11/17 15:51	9	OK	60	1	8.40E+04	3.53E+03	/m3
2022/11/17 15:53	10	OK	60	1	9.29E+04	3.18E+03	/m3
2022/11/17 15:55	11	OK	60	1	4.56E+04	3.88E+03	/m3
2022/11/17 15:57	12	OK	60	1	6.99E+04	8.48E+03	/m3
2022/11/17 16:00	13	OK	60	1	5.93E+04	1.41E+03	/m3
2022/11/17 16:02	14	OK	60	1	5.54E+04	3.18E+03	/m3
2022/11/17 16:03	15	OK	60	1	5.23E+04	4.94E+03	/m3
2022/11/17 16:05	16	OK	60	1	5.40E+04	5.65E+03	/m3

## 伍、落菌測試

- 一、測試儀器：TSA 培養基
- 二、潔淨等級：ISO Class 8 (Class 100,000)
- 三、測試人員：江隆恩
- 四、陪測人員：沈照彬
- 五、測試日期：2022/11/17
- 六、測試說明：

1. 執行測試前，空調已平衡運轉。
2. 將培養皿放置於各測試點，開蓋後靜置約 1 小時，以採樣環境空氣落下菌。
3. 經過 1 小時後將培養皿蓋上，並移至恆溫培養箱(30~35°C)，做 48 小時的落下菌培養。
4. 經過 48 小時的落下菌培養後，自恆溫培養箱取出，檢視各測試點的菌落數並拍照紀錄。
5. 十萬級無塵室 1 小時菌落數應 $<20$ 。

七、落菌測試點：





八、落菌測試數據：

房間名稱	潔淨等級	時間	編號	菌落數(CFU/plate)
無塵室	ISO Class 8 (Class 100,000)	15:20~16:20	1	16
			2	8
			3	5
			4	10
			5	1
			6	1
			7	2
			8	2
			9	1
			10	1

# 陸、儀器校正報告

## 一、風速計



Report Date : 2022/11/12

### 校正報告書 校正暨量測實驗室-台北



Calibration Laboratory  
0143

Report No. : ECR2242307		第 1 頁		共 2 頁	
申請者 Applicant	繼開室內裝修工程股份有限公司				
儀器名稱 Equipment	風速計				
製造廠商 Manufacturer	TSI	機型 Model	9545-A	序號 Serial No.	9545A1543006
校正程序 Procedure used	CALP-EC-Q001(V 2.1)	收件日期 Received Date	2022/11/3	校正日期 Calibration Date	2022/11/11
校正狀態 Status	正常	溫度 °C Temperature	(23 ± 2) °C	相對濕度 % Relative Humidity	(50 ± 20) %
顧客地址	414臺中市烏日區環河北路248號			校正地點 Location	實驗室

#### 實驗室使用標準器 / SGS Standards

儀器名稱 Equipment	製造廠商 Manufacturer	機型 Model	標準器校正日期 Calibration Date
Micromanometer	TSI	DPCALC-8710	2022/5/6
序號 Serial Number	追溯單位 Traceability	報告號碼 Report No.	標準器有效日期 Due Date
90620001	NML(TAF N0882)	F220136A&140A	2023/5/5

◆ 台灣檢驗科技股份有限公司特此聲明本報告書內記載之標準器，依ILAC PID之規定，可追溯至ILAC MRA 國際實驗室認證聯盟相互承認協議成員之認可實驗室，或各國家計量標準機構(NMI)，或國際度量衡委員會相互認可協定之機構(CIPM MRA)，或驗證參考物質(CRMs)。

◇ 有TAF認證標誌之報告係全國認證基金會(TAF)之認證範圍；無TAF認證標誌之報告亦符合本實驗室標準校正作業程序及ISO/IEC 17025之規定。

◇ SGS Taiwan Ltd hereby declares that traceability follows ILAC PID(ILAC) policy on the traceability of measurement results. All standards are directly traceable to TAF recognized lab (members of the ILAC MRA) or to National Metrology Institutes (NMI) or to other international standards (members of the CIPM MRA) or certified reference materials(CRMs).

This report with "TAF" accredited symbol indicates the quality system conforms to TAF; Without "TAF" accredited symbol the report also complies with the lab's standard calibration operating procedures and ISO/IEC 17025 requirements.

◆ 本校正報告僅對上述儀器之校正項目有效且未經調整，報告內容不包含校正週期之建議以及符合性判定，除特別聲明外。

◇ The calibration report is only valid for the instruments mentioned above and has not been adjusted.

Unless otherwise specified, the content of the report does not include the suggestion for calibration interval and the determination of competence.

◆ 本校正報告部份複製及影印本無效。

◇ To reproduce or copy calibration report in partial is not allowed.

丁中明

報告簽署人

This document is issued by the Company subject to its General Conditions of Service printed overleaf, available on request or accessible at <http://www.sgs.com.tw/Terms-and-Conditions> and, for electronic format documents, subject to Terms and Conditions for Electronic Documents at <http://www.sgs.com.tw/Terms-and-Conditions>. Attention is drawn to the limitation of liability, indemnification and jurisdiction issues defined therein. Any holder of this document is advised that information contained hereon reflects the Company's findings at the time of its intervention only and within the limits of Client's instructions, if any. The Company's sole responsibility is to its Client and this document does not exonerate parties to a transaction from exercising all their rights and obligations under the transaction documents. This document cannot be reproduced except in full, without prior written approval of the Company. Any unauthorized alteration, forgery or falsification of the content or appearance of this document is unlawful and offenders may be prosecuted to the fullest extent of the law. Unless otherwise stated the results shown in this test report refer only to the sample(s) tested.

SGS Taiwan Ltd  
台灣檢驗科技股份有限公司

承辦處: 11099 台北市  
1886 21 2289 3929

承辦處: 11099 台北市  
1886 21 2289 1845

TWD 6555736  
248020 新北市五股區新北產業園區五權七路38號  
www.sgs.com.tw

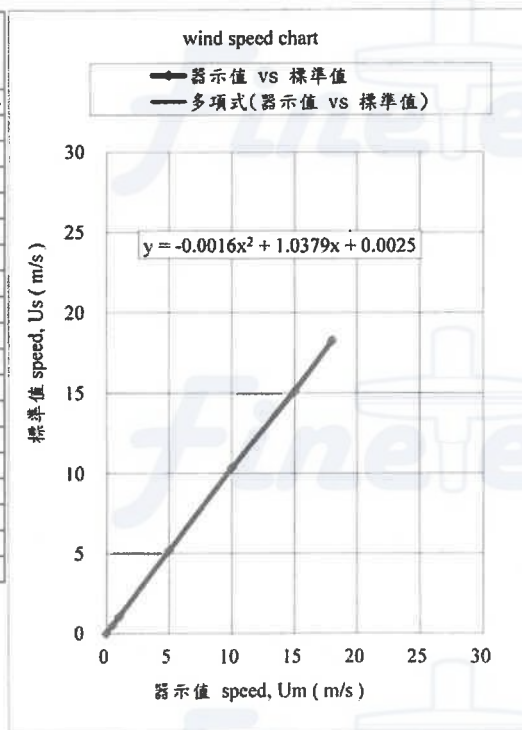
Member of SGS Group

1007



風速部份:

器示值 (儀器風速) (m/s)	標準值 (實際狀態風速) (m/s)	器差值 (m/s)	擴充 不確定度 (m/s)
0.00	0.00	0.00	-
0.50	0.51	-0.01	0.12
0.50	0.51	-0.01	0.12
0.50	0.51	-0.01	0.12
1.01	1.04	-0.03	0.25
1.00	1.04	-0.04	0.25
1.00	1.04	-0.04	0.25
5.03	5.18	-0.15	0.58
5.03	5.18	-0.15	0.58
5.04	5.19	-0.15	0.58
10.03	10.34	-0.31	0.73
10.03	10.34	-0.31	0.73
10.03	10.34	-0.31	0.73
15.02	15.07	-0.05	0.79
15.02	15.06	-0.04	0.79
15.03	15.06	-0.03	0.79
18.04	18.27	-0.23	0.90
18.03	18.26	-0.23	0.90
18.03	18.27	-0.24	0.90



校正說明:

1. 器差值 = 器示值 - 標準值
2. 校正環境: 大氣壓力: 760.5 mmHg
3. 器示值係指送校件所顯示或設定之值
4. 標準值係指工作標準件之輸出值或顯示值  
(標準狀態風速是定義 21.1 °C 和 101.4 kPa 測得之風速結果)  
(實際狀態風速是將測得的標準狀態風速進行空氣狀態修正計算結果)
5. 校正能力係以約 95 % 信賴水準,  $k = 2$  之擴充不確定度表示
6. 上述擴充不確定度已包含校正件之不確定度評估結果
7. 校正程序: 風速計校正作業程序

-- THE END --

This document is issued by the Company subject to its General Conditions of Service printed overleaf, available on request or accessible at <http://www.sgs.com.tw/Terms-and-Conditions> and for electronic format documents subject to Terms and Conditions for Electronic Documents at <http://www.sgs.com.tw/Terms-and-Conditions>. Attention is drawn to the limitation of liability indemnification and jurisdiction issues defined therein. Any holder of this document is advised that information contained hereon reflects the Company's findings at the time of its intervention only and within the limits of Client's instructions, if any. The Company's sole responsibility is to its Client and this document does not exonerate parties to a transaction from exercising all their rights and obligations under the transaction documents. This document cannot be reproduced except in full without prior written approval of the Company. Any unauthorized alteration, forgery or falsification of the content or appearance of this document is unlawful and offenders may be prosecuted to the fullest extent of the law. Unless otherwise stated the results shown in the test report refer only to the sample(s) tested.

## 二、壓差計

SGS

### 校正報告書 校正暨量測實驗室-台北



Calibration Laboratory  
0143

Report Date: 2022/9/8

Report No. : ECR2233994		第1頁	共2頁
申請者 Applicant	繼開室內裝修工程股份有限公司		
儀器名稱 Equipment	壓差計		
製造廠商 Manufacturer	TSI	機型 Model	8386A-M-GB
校正程序 Procedure used	CALP-EC-P005(V 1.2)	收件日期 Received Date	2022/9/6
校正狀態 Status	正常	溫度 °C Temperature	(23 ± 5) °C
顧客地址 送校地址	414臺中市烏日區環河北路248號		校正地點 Location
		序號 Serial No.	54120151
		校正日期 Calibration Date	2022/9/8
		相對濕度 % Relative Humidity	(50 ± 30) %

#### 實驗室使用標準器 / SGS Standards

儀器名稱 Equipment	製造廠商 Manufacturer	機型 Model	標準器校正日期 Calibration Date
Pressure Calibrator	DRUCK	DPI 610	2021/10/18
序號 Serial Number	追溯單位 Traceability	報告號碼 Report No.	標準器有效日期 Due Date
61029692	PTI(TAF 1805)	21A080031	2022/10/17

- ◆ 台灣檢驗科技股份有限公司特此聲明本報告書內記載之標準器，依ILAC P10之規定，可追溯至ILAC MR4 國際實驗室認證聯盟相互承認協議成員之認可實驗室，或各國國家計量標準機構(NMI)，或國際度量衡委員會相互認可協定之機構(CIPM MRA)，或驗證參考物質(CRMs)，有TAF認證標誌之報告係全國認證基金會(TAF)之認證範圍；無TAF認證標誌之報告亦符合本實驗室標準校正作業程序及ISO/IEC 17025之規定。
- SGS Taiwan Ltd hereby declare that traceability follows ILAC P10(ILAC policy on the traceability of measurement results) All standards are directly traceable to TAF recognized lab (members of the ILAC MRA) or to National Metrology Institutes (NMI) or to other international standards (members of the CIPM MRA) or certified reference materials(CRMs)
- ◆ 本報告書僅對上述儀器之校正項目有效且未經調整，報告內容不包含校正週期之建議以及符合性判定，除特別聲明外。
- The calibration report is only valid for the instrument mentioned above and has not been adjusted
- ◆ 本校正報告部份複製及影本無效。
- To reproduce or copy calibration report in partial is not allowed

丁中明

報告簽署人

This document is issued by the Company subject to its General Conditions of Service printed overleaf, available on request or accessible at <http://www.sgs.com.tw/Terms-and-Conditions> and, for electronic format documents, subject to Terms and Conditions for Electronic Documents at <http://www.sgs.com.tw/Terms-and-Conditions>. Attention is drawn to the limitation of liability, indemnification and jurisdiction issues defined therein. Any holder of this document is advised that information contained hereon reflects the Company's findings at the time of its intervention only and within the limits of Client's instructions, if any. The Company's sole responsibility is to its Client and this document does not exonerate parties to a transaction from exercising all their rights and obligations under the transaction documents. This document cannot be reproduced except in full, without prior written approval of the Company. Any unauthorized alteration, forgery or falsification of the content or appearance of the document is unlawful and offenders may be prosecuted to the fullest extent of the law. Unless otherwise stated the results shown in this report refer only to the sample(s) tested.

台灣檢驗科技股份有限公司

電話: (886 2) 2298 3939

電話: (886 2) 2298 1845

www.sgs.com.tw

Member of SGS Group

1007



校正結果 (Calibration Results)



RptNo. : ECR2233994

第2頁 共2頁

壓力部份 :

器示值 (Pa)	標準值 (Pa)	器差值 (Pa)
0	0	0
5	5	0
15	15	0
50	50	0
500	493	7

校正說明 :

1. 器差值=器示值 - 標準值
2. 器差% = [(器示值 - 標準值) ÷ 標準值] \* 100
3. 器示值係指送校正件所顯示或設定之值
4. 標準值係指工作標準件之輸出值或顯示值
5. 校正能力係以約95 %信賴水準, k=2之擴充不確定度表示
6. 校正結果所示之數據為二次循環(升壓、降壓)量測之平均值
7. 擴充不確定度 : (0 to 50) Pa : 2 Pa  
500 Pa : 13 Pa
8. 上述擴充不確定度已包含校正件之不確定度評估結果
9. 校正程序 : 壓差表校正作業程序

-- THE END --

This document is issued by the Company subject to its General Conditions of Service printed overleaf, available on request or accessible at <http://www.sgs.com.tw/Terms-and-Conditions> and for electronic format documents subject to Terms and Conditions for Electronic Documents at <http://www.sgs.com.tw/Terms-and-Conditions>. Attention is drawn to the limitation of liability, indemnification and jurisdiction issues defined therein. Any holder of this document is advised that information contained hereon reflects the Company's findings at the time of its intervention only and within the limits of Client's instructions, if any. The Company's sole responsibility is to its Client and this document does not exonerate parties to a transaction from exercising all their rights and obligations under the transaction documents. This document cannot be reproduced except in full, without prior written approval of the Company. Any unauthorized alteration, forgery or falsification of the content or appearance of this document is unlawful and offenders may be prosecuted to the fullest extent of the law. Unless otherwise stated the results shown in this test report refer only to the sample(s) tested.

SGS Taiwan Ltd. No. 28, W. Cross St. Rd. New Taipei City, Taipei, Taiwan Tel: +886 (2) 2789 3939 Fax: +886 (2) 2789 1845 TWD 6200511  
 台灣檢驗科技股份有限公司 1007  
 11049 Taipei, Taiwan Tel: +886 (2) 2789 3939 Fax: +886 (2) 2789 1845  
 248020 新北市五股區新北產業園區五權七路38號  
 www.sgs.com.tw

Member of SGS Group

### 三、溫濕度計

SGS

## 校正報告書

校正暨量測實驗室-台北



Report Date : 2022/11/12

Report No. : ECR2242308

第1頁

共2頁

申請者 Applicant	繼開室內裝修工程股份有限公司				
儀器名稱 Equipment	溫濕度計				
製造廠商 Manufacturer	TSI	機型 Model	9545-A	序號 Serial No.	9545A1543006
校正程序 Procedure used	CALP-EC-T127(V 1.8)	收件日期 Received Date	2022/11/3	校正日期 Calibration Date	2022/11/12
校正狀態 Status	正常	溫度 °C Temperature	(23 ± 5) °C	相對濕度 % Relative Humidity	(50 ± 30) %
顧客地址 Site Address	414臺中市烏日區環河北路248號			校正地點 Location	實驗室

#### 實驗室使用標準器 / SGS Standards

儀器名稱 Equipment	製造廠商 Manufacturer	機型 Model	標準器校正日期 Calibration Date
Hygrometer	ROTRONIC	HP22-A+HC2-S	2022/2/7
Chamber	KSON	THS-B7T-150	2022/5/24

序號 Serial Number	追溯單位 Traceability	報告號碼 Report No.	標準器有效日期 Due Date
61369304+20011276	SGS(TAF 0143)	ECR2203305	2023/2/6
A0955	SGS(TAF 0143)	ECR2219242&ECR2219242-1	2023/5/23

◆ 台灣檢驗科技股份有限公司將此聲明本報告書內記載之標準器，依ILAC P10之規定，可追溯至ILAC MRA 國際實驗室認證聯盟相互承認協議成員之認可實驗室，及各國家計量標準機構(NMI)，或國際度量衡委員會相互認可協定之機構(CIPM MRA)，或驗證參考物質(CRM)。

有TAF認證標誌之報告表示符合全國認證基金會(TAF)認證範圍之校正項目證書；若TAF認證標誌之報告亦符合本實驗室標準校正作業程序及ISO/IEC 17025之規定。

◇ SGS Taiwan Ltd hereby declares that traceability follows ILAC P10(ILAC policy on the traceability of measurement results) All standards are directly traceable to TAF recognized lab (members of the ILAC MRA) or to National Metrology Institutes (NMI) or to other international standards (members of the CIPM MRA) or certified reference materials(CRMs)

The report with "TAF" accredited symbol represents the certificate of calibration items conforming to TAF accreditation scope. Without "TAF" accredited symbol, the report also complies with the lab's standard calibration operating procedures and ISO/IEC 17025 requirements

◆ 本校正報告僅對上述儀器之校正項目有效且未經調整，報告內容不包含校正週期之建議以及符合性判定，請特別聲明於

◇ The calibration report is only valid for the instrument mentioned above and has not been adjusted

◇ Unless otherwise specified, the content of the report does not include the suggestion for calibration interval and the determination of compliance

◆ 本校正報告部份複製及影本無效。

◇ To reproduce or copy calibration report in part is not allowed

楊慧婷

報告簽署人

This document is issued by the Company, subject to its General Conditions of Service printed overleaf, available on request or accessible at <http://www.sgs.com.tw/Terms-and-Conditions> and, for electronic format documents, subject to Terms and Conditions for Electronic Documents at <http://www.sgs.com.tw/Terms-and-Conditions>. Attention is drawn to the limitation of liability, indemnification and jurisdiction issues defined therein. Any holder of this document is advised that information contained hereon reflects the Company's findings at the time of its intervention only and within the limits of Client's instructions, if any. The Company's sole responsibility is to its Client and this document does not exonerate parties to a transaction from exercising all their rights and obligations under the transaction documents. This document cannot be reproduced except in full, without prior written approval of the Company. Any unauthorized alteration, forgery or falsification of the content or appearance of this document is unlawful and offenders may be prosecuted to the fullest extent of the law. Unless otherwise stated the results shown in this report refer only to the sample(s) tested.

SGS Taiwan Ltd  
台灣檢驗科技股份有限公司

11030 台北市 內湖區 新莊路 248 號  
11886-21 2298 3939

11030 台北市 內湖區 新莊路 248 號  
11886-21 2298 1845

11030 台北市 五股區 新北產業園區 五權七路 38 號  
www.sgs.com.tw  
Member of SGS Group

1107



### 校正結果 (Calibration Results)



RptNo. : ECR2242308

第2頁 共2頁

溫濕度部份 :

器示值		標準值		器差值		擴充不確定度	
溫度 (°C)	相對濕度 (%)	溫度 (°C)	相對濕度 (%)	溫度 (°C)	相對濕度 (%)	溫度 (°C)	相對濕度 (%)
20.4	70.7	20.0	70.0	0.4	0.7	0.5	2.8
25.4	61.1	25.0	60.0	0.4	1.1	0.5	2.8
30.3	50.6	30.0	50.0	0.3	0.6	0.5	2.8

校正說明 :

1. 器差值=器示值 - 標準值
  2. 器差% = [(器示值 - 標準值) ÷ 標準值] \* 100
  3. 器示值係指送校正件所顯示或設定之值
  4. 標準值係指工作標準件之輸出值或顯示值
  5. 校正能力係以約95%信賴水準, k=2之擴充不確定度表示
  6. 校正結果所示之數據為3次量測之平均值
  7. 上述擴充不確定度已包含校正件之不確定度評估結果
  8. 校正程序: 溫濕記錄器(含溫濕度計)校正作業程序書
- THE END --

This document is issued by the Company subject to its General Conditions of Service printed overleaf, available on request or accessible at <http://www.sgs.com.tw/Terms-and-Conditions> and to electronic format documents, subject to Terms and Conditions for Electronic Documents at <http://www.sgs.com.tw/Terms-and-Conditions>. Attention is drawn to the limitation of liability, indemnification and jurisdiction issues defined therein. Any holder of this document is advised that information contained herein reflects the Company's findings at the time of its intervention only and within the limits of Client's instructions, if any. The Company's sole responsibility is to its Client and this document does not exonerate parties to a transaction from exercising all their rights and obligations under the transaction documents. This document cannot be reproduced except in full, without prior written approval of the Company. Any unauthorized alteration, forgery or falsification of the content or appearance of this document is unlawful and offenders may be prosecuted to the fullest extent of the law. Unless otherwise stated the results shown in this test report refer only to the sample(s) tested.

SGS Taiwan Ltd  
台商檢驗科技股份有限公司

4F, No. 101, Sec. 2, Rd. No. 1, Xinyi Dist., Taipei City 100, Taiwan  
t: (886 2) 2799 3939

248020 新北市五股區新北產業園區五權七路38號  
f: (886 2) 2298 1845

www.sgs.com.tw  
Member of SGS Group

TWD 6653735

1/007

## 四、微塵粒子計數器



地址：新竹縣湖口鄉勝利路二段 191 號 www.haosheng-hc.com.tw  
電話：03-5973308 傳真：03-5973602

豪升校正實驗室



報告編號：A20221001001

### 校正報告

### Certificate of Calibration

委託單位 Customer	繼開室內裝修工程股份有限公司			
委託單位地址 Address of customer	台中市烏日區環河北路 248 號			
儀器名稱 Instrument	Airborne Particle Counter	型號 Model	HandiLaz mini	
儀器序號 Serial No.	74646	製造商 Manufacturer	PMS	
校正日期 Cal. Data	2022/11/02	報告發行日期 Issued Date	2022/11/04	
校正場所 Cal. Location	豪升校正實驗室			
校正方法 Procedure used	實驗室自訂程序：「塵埃粒子計數器校正作業標準書」WT-01/3.0 版 (參考 ISO 21501-4:2018)			
校正環境條件 Environment of Cal.	溫度 Temperature	(25 ± 2) °C	相對濕度 Relative Humidity	≤ 70 %

本實驗室為財團法人全國認證基金會 (TAF) 認證之實驗室，管理體系符合 ISO/IEC 17025：2017；CNS 17025：2018 的要求。

財團法人全國認證基金會 (TAF) 認可項目之校正報告，於報告上附 ILAC MRA 組合標記。



報告簽署人：

表單編號：WT0102 /3.0 版

頁 1 / 5





**豪升有限公司**  
HAOSHENG-HC CO.,LTD.



**豪升校正實驗室**

地址：新竹縣湖口鄉勝利路二段 191 號 www.haosheng-hc.com.tw  
電話：03-5973308 傳真：03-5973602

報告編號：A20221001001

**校正使用標準儀器 (List of Standard Instruments Used)**

儀器名稱 Instrument	廠牌 Manufacturer	型號 Model No.	標準器校正日期 Calibration Date
Particle Counter	PMS	LASAIRII-110	2022/05/12
Flow Meter	TSI	4043	2022/07/01
Electronic stopwatch	CASIO	HS-3	2022/07/20
Digital Multimeter	Fluke	15B+	2022/03/29
序號 Serial No.	追溯源/認可編號 Traceability/Accreditation No.	報告號碼 Report No.	標準器有效日期 Due Date
54674	JQA/A2LA 1400.01	1352-00451E	2023/05/11
40431801007	ASTRC/TAF 0886	CA111-022	2023/06/30
708Q19R	ETC/TAF 0382	22-07-BCC-292-01L	2023/07/19
38220144WS	SGS/TAF 0143	ECR2210799	2023/03/28

**校正使用標準粒子 (List of Standard Particles Used)**

標準粒子 PSL particle size	廠牌 Manufacturer	批次號 Lot No.	材質 Material	有效日期 Expire Day
0.303 $\mu\text{m}$	Thermo	231958	Polystyrene	2023/10/31
0.510 $\mu\text{m}$	Thermo	229560	Polystyrene	2023/08/31



**豪升有限公司**  
HAOSHENG-HC CO.,LTD.



**豪升校正實驗室**

地址：新竹縣湖口鄉勝利路二段 191 號 www.haosheng-hc.com.tw  
電話：03-5973308 傳真：03-5973602

報告編號：A20221001001

**計量特性測量結果**  
The result of metrological specification

**計數效率 (Counting Efficiency)**

For the PSL particle of size of the minimum detection limit

標準粒子 PSL particle size	校正件測量值 Measured Value	標準值 Standard Value	規格 Specification	計數效率 Counting Efficiency	擴充不確定度 Expanded Uncertainty
0.303 μm	1801.0 Count/L	3691.6 Count/L	(50 ± 20) %	48.8 %	5.0 %

For the PSL particle about the size of 1.5 to 2 times of the minimum detection limit

標準粒子 PSL particle size	校正件測量值 Measured Value	標準值 Standard Value	規格 Specification	計數效率 Counting Efficiency	擴充不確定度 Expanded Uncertainty
0.510 μm	730.8 Count/L	666.7 Count/L	(100 ± 10) %	109.6 %	8.4 %

說明：

1. 校正能力係以約 95 % 信賴水準，k=2 之相對擴充不確定度表示。

The expanded uncertainty is expressed at approximately the 95 % confidence level using a coverage factor k=2.

2. 計數效率公式：

$$\eta = \frac{C_1}{C_0} \times 100\%$$

式中：

$\eta$  — 計數效率 (%)；

$C_0$  — 標準值 (Count/L)；

$C_1$  — 校正件測量值 (Count/L)；

$$\text{標準值 (Count/L)} = \frac{\text{標準件之分析粒徑通道測量值(Count/L)}}{\text{標準件計數效率追溯}}$$



HaoSheng

豪升有限公司

HAOSHENG-HC CO.,LTD.

豪升校正實驗室

地址：新竹縣湖口鄉勝利路二段 191 號 [www.haosheng-hc.com.tw](http://www.haosheng-hc.com.tw)

電話：03-5973308 傳真：03-5973602



報告編號：A20221001001

聲明：

1. 本實驗室出具的校正報告，均可追溯至中華民國國家度量衡標準實驗室、美國國家標準技術研究所、日本質量保證協會(JQA)或其它國家實驗室和國際單位制 (SI)。
2. 校正報告內容均符合 ISO/IEC 17025:2017 之規定。
3. 本校正報告共 5 頁，僅對此送校儀器有效，且不可分離使用。
4. 未獲得本實驗室同意，此校正報告不得摘錄複製，但全文複製除外。
5. 本報告須有本實驗室專用印章及報告簽署人簽名方有效。



HaoSheng HAOSHENG-HC CO.,LTD.



豪升校正實驗室

地址：新竹縣湖口鄉勝利路二段 191 號 www.haosheng-hc.com.tw  
電話：03-5973308 傳真：03-5973602

報告編號：A20221001001

附錄：

1. 採樣流量誤差 (Sampling flow error)

設定值 Specified Value	實測值 Measured Value	規格 Specification	採樣流量誤差 Sampling flow error
2.83 L/min	2.94 L/min	± 5 %	3.7 %

2. 偽計數 (False Count)

計數 Observed Count	偽計數率 False Count Rate
0 count	10.6 count/m <sup>3</sup>

Setup time: 30 minutes

Measurement time: 100 minutes

偽計數率基於 Poisson 分佈，為 95% 信賴水準上限之估值。

The result of the false count rate is the estimated value at 95% upper confidence limits obtained from the counted value when the probability of the false count rate is obtained by the Poisson distribution.

3. 採樣時間誤差 (Sampling time error)

設定值 Sample Values	實測值 Measured Value	規格 Specification	採樣時間誤差 Sampling time error
60 s	59.89 s	± 1 %	- 0.18 %